

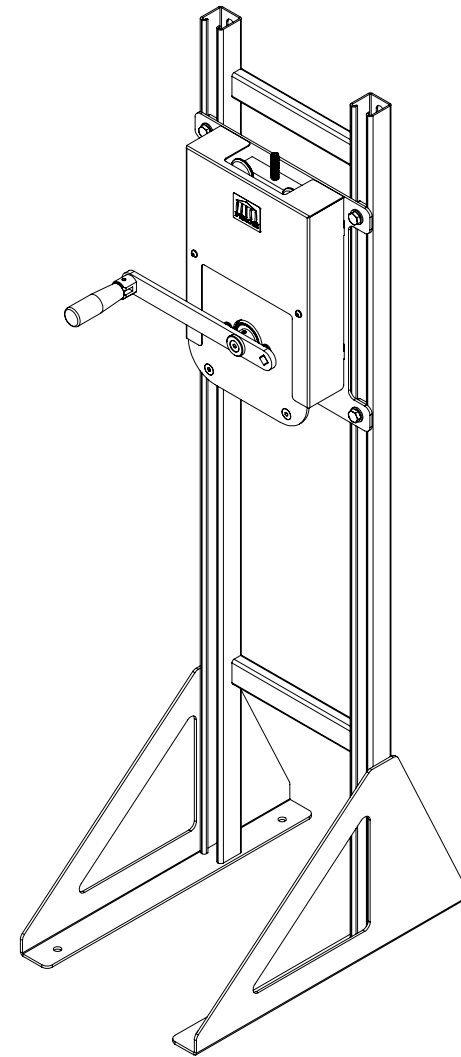
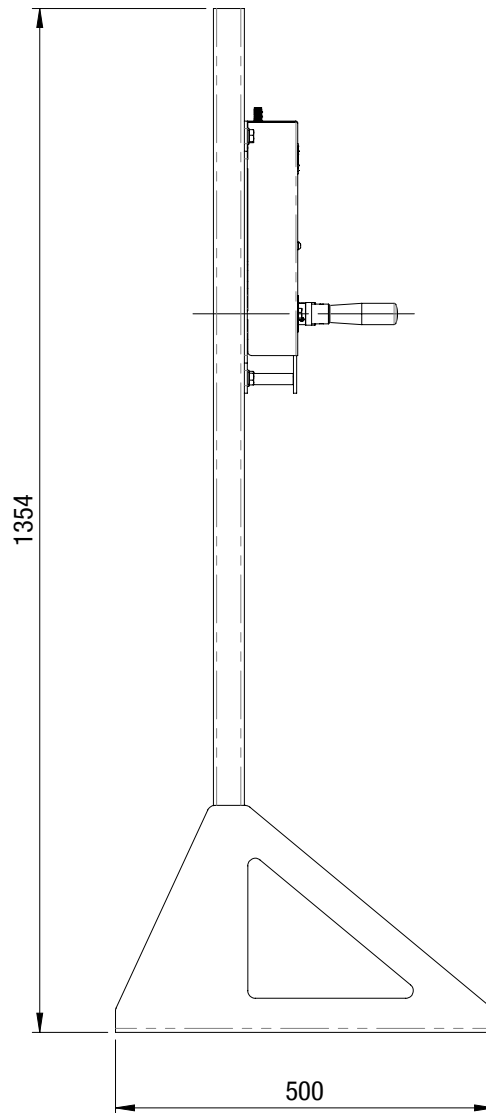
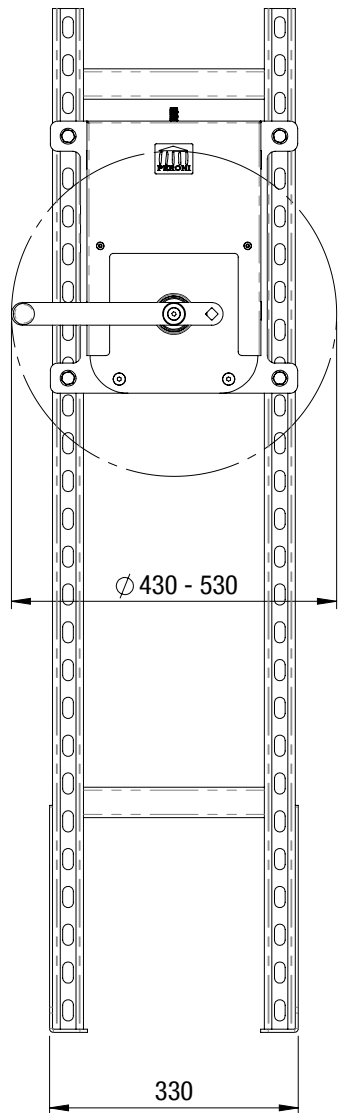
© PERONI S.P.A. COPYRIGHT
 THIS DRAWING REMAINS THE PROPERTY OF PERONI S.P.A
 AND MAY NOT BE COPIED OR REPRODUCED IN WHOLE OR IN PART
 WITHOUT PRIOR WRITTEN APPROVAL FROM THIS COMPANY.



PERONI S.P.A.
 VIA MONTE LEONE, 93
 21013 GALLARATE (VA) - ITALIA
 www.peroni.com

TITLE
**1Z05 CURTAIN WINCH
 WALL MOUNTED**

SCALE	DRAWING NUMBER	REV.
-	1Z05-1	00



© PERONI S.P.A. COPYRIGHT
 THIS DRAWING REMAINS THE PROPERTY OF PERONI S.P.A.
 AND MAY NOT BE COPIED OR REPRODUCED IN WHOLE OR IN PART
 WITHOUT PRIOR WRITTEN APPROVAL FROM THIS COMPANY.



PERONI S.P.A.
 VIA MONTE LEONE, 93
 21013 GALLARATE (VA) - ITALIA
 www.peroni.com

TITLE
**1Z05 CURTAIN WINCH
 SELF-SUPPORTING STAND**

SCALE	DRAWING NUMBER	REV.
-	1Z05-2	00