

L: adjustable distance 85 ÷ 234 mm
depending on the connected accessory

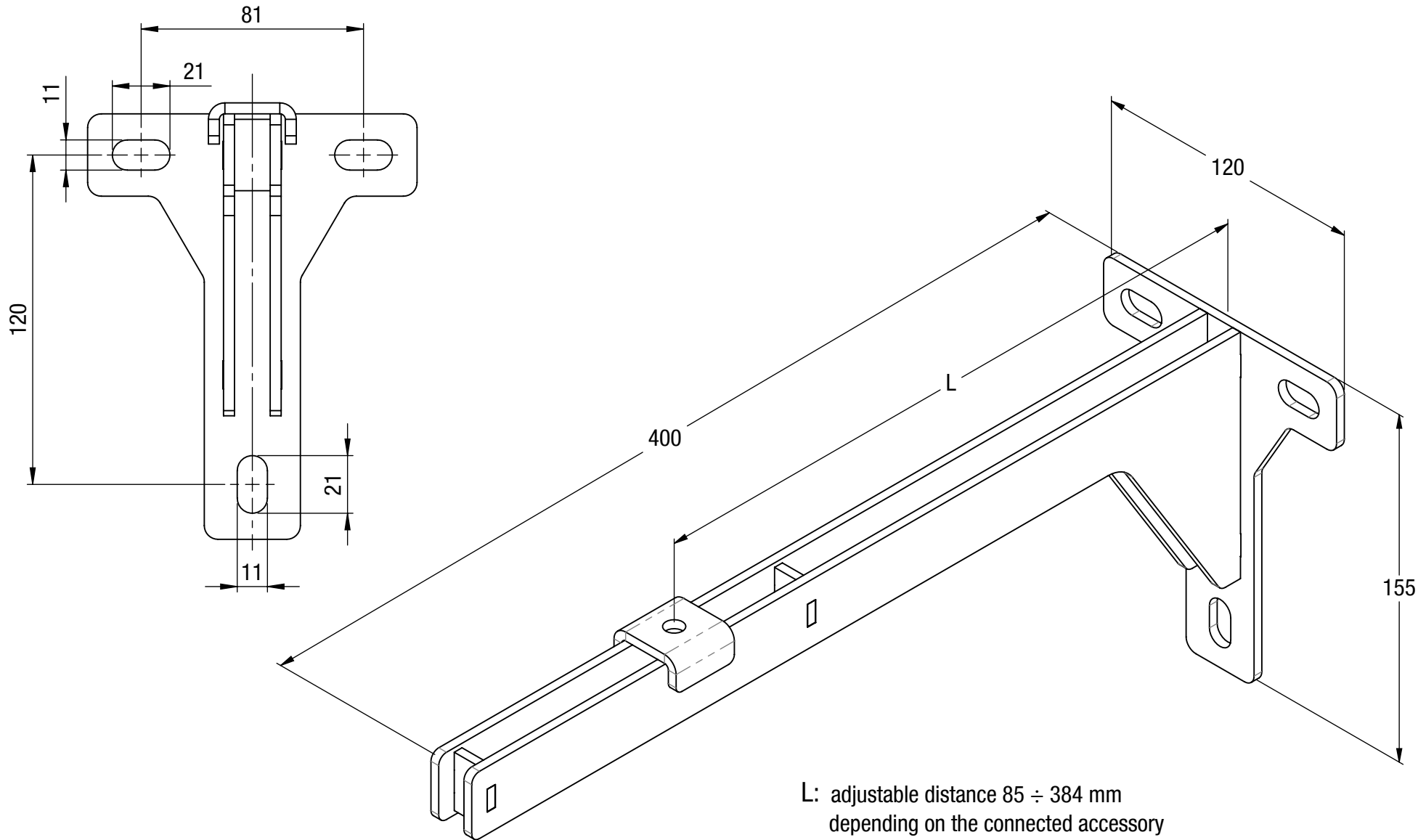
© PERONI S.P.A. COPYRIGHT
THIS DRAWING REMAINS THE PROPERTY OF PERONI S.P.A.
AND MAY NOT BE COPIED OR REPRODUCED IN WHOLE OR IN PART
WITHOUT PRIOR WRITTEN APPROVAL FROM THIS COMPANY.



PERONI S.P.A.
VIA MONTE LEONE, 93
21013 GALLARATE (VA) - ITALIA
www.peroni.com

TITLE
1Z10 WALL BRACKET 250 mm
WLL 50 kg - Safety Factor 5

SCALE	DRAWING NUMBER	REV.
1:2	1Z10-250	00



L: adjustable distance 85 ÷ 384 mm
depending on the connected accessory

© PERONI S.P.A. COPYRIGHT
THIS DRAWING REMAINS THE PROPERTY OF PERONI S.P.A.
AND MAY NOT BE COPIED OR REPRODUCED IN WHOLE OR IN PART
WITHOUT PRIOR WRITTEN APPROVAL FROM THIS COMPANY.



PERONI S.P.A.
VIA MONTE LEONE, 93
21013 GALLARATE (VA) - ITALIA
www.peroni.com

TITLE
1Z10 WALL BRACKET 400 mm
WLL 30 kg - Safety Factor 5

SCALE	DRAWING NUMBER	REV.
1:2	1Z10-400	00