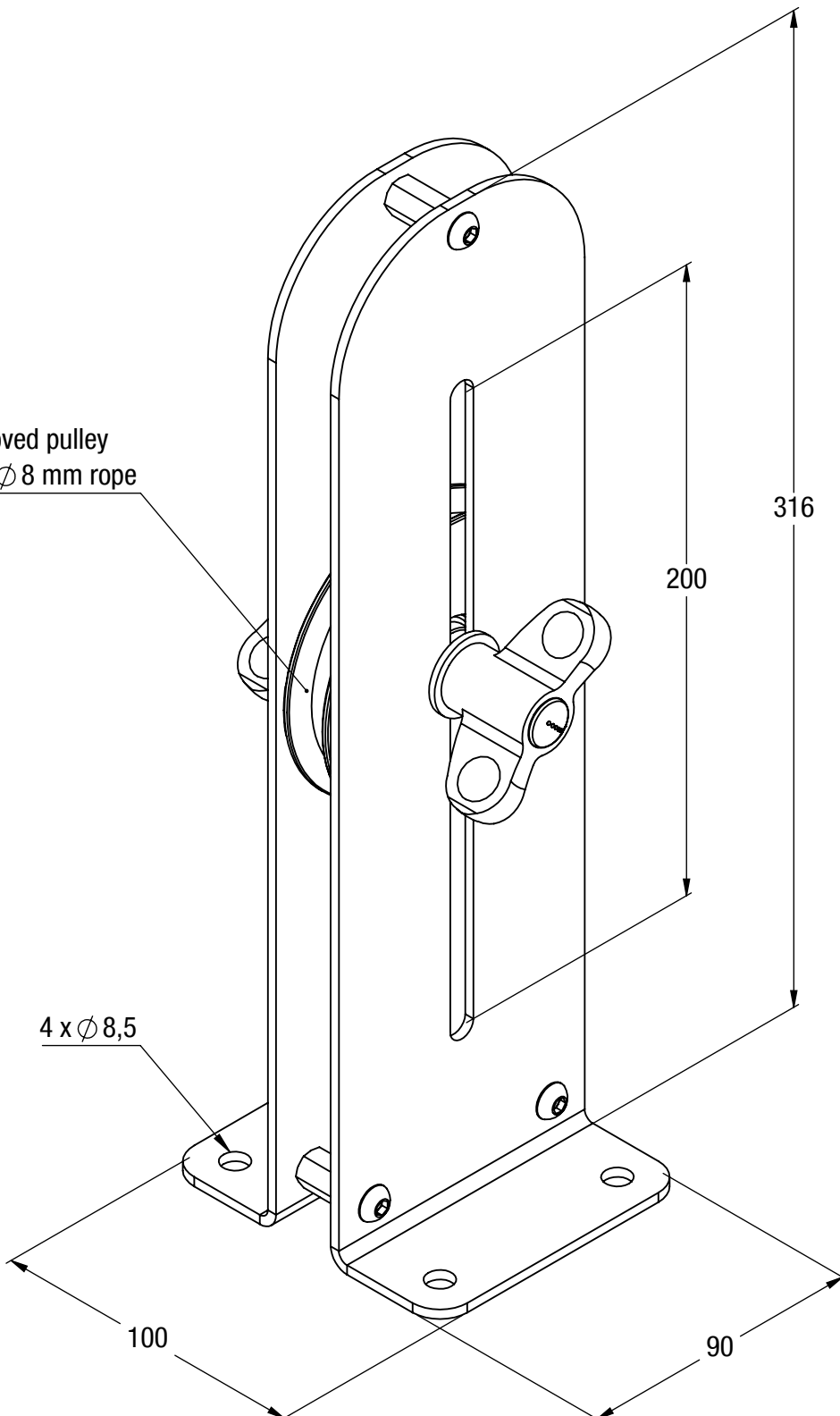


grooved pulley  
for  $\varnothing 8$  mm rope



© PERONI S.P.A. COPYRIGHT

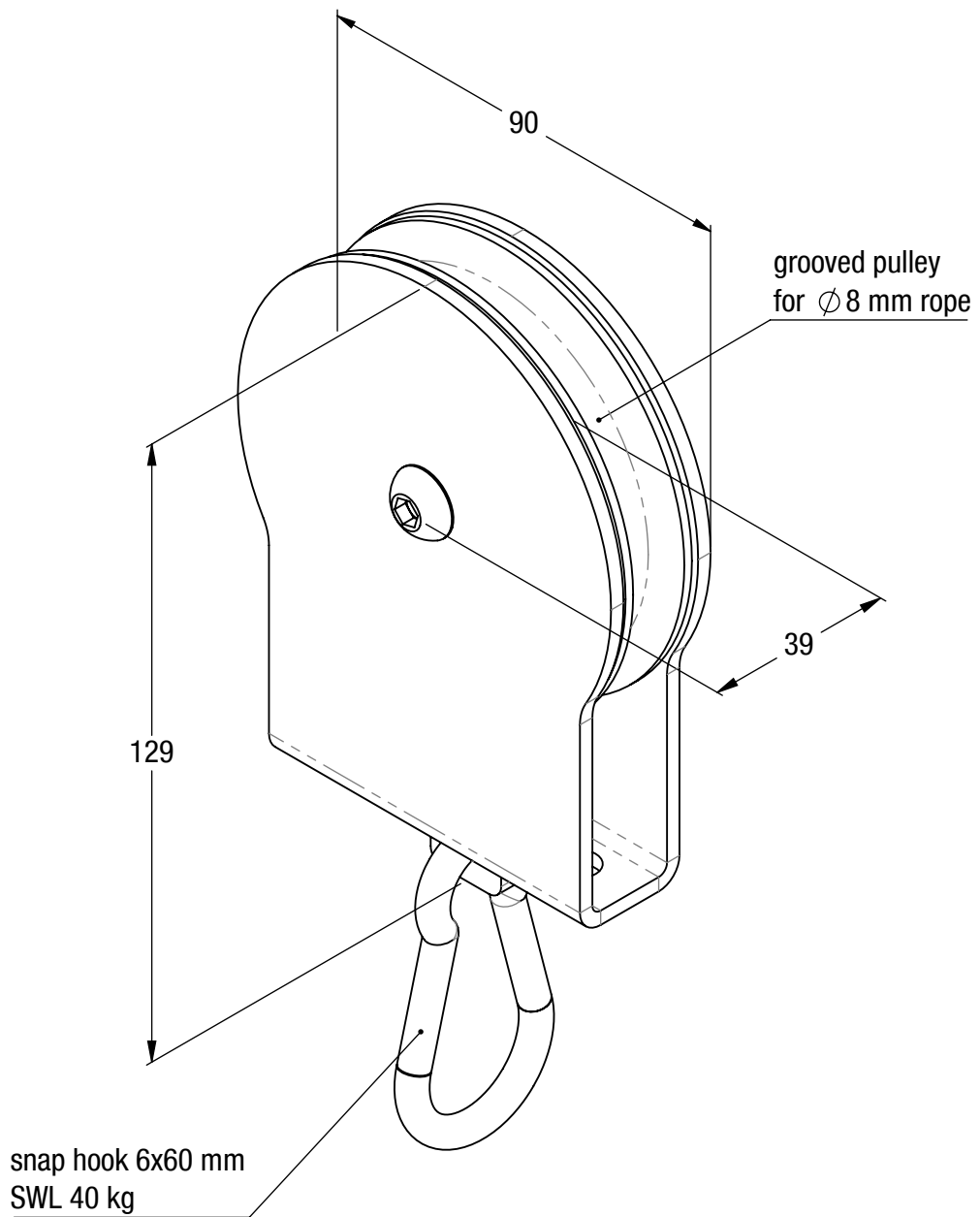
THIS DRAWING REMAINS THE PROPERTY OF PERONI S.P.A.  
AND MAY NOT BE COPIED OR REPRODUCED IN WHOLE OR IN PART  
WITHOUT PRIOR WRITTEN APPROVAL FROM THIS COMPANY.



PERONI S.P.A.  
VIA MONTE LEONE, 93  
21013 GALLARATE (VA) - ITALIA  
www.peroni.com

TITLE  
1Z01 - ADJUSTABLE FLOOR PULLEY

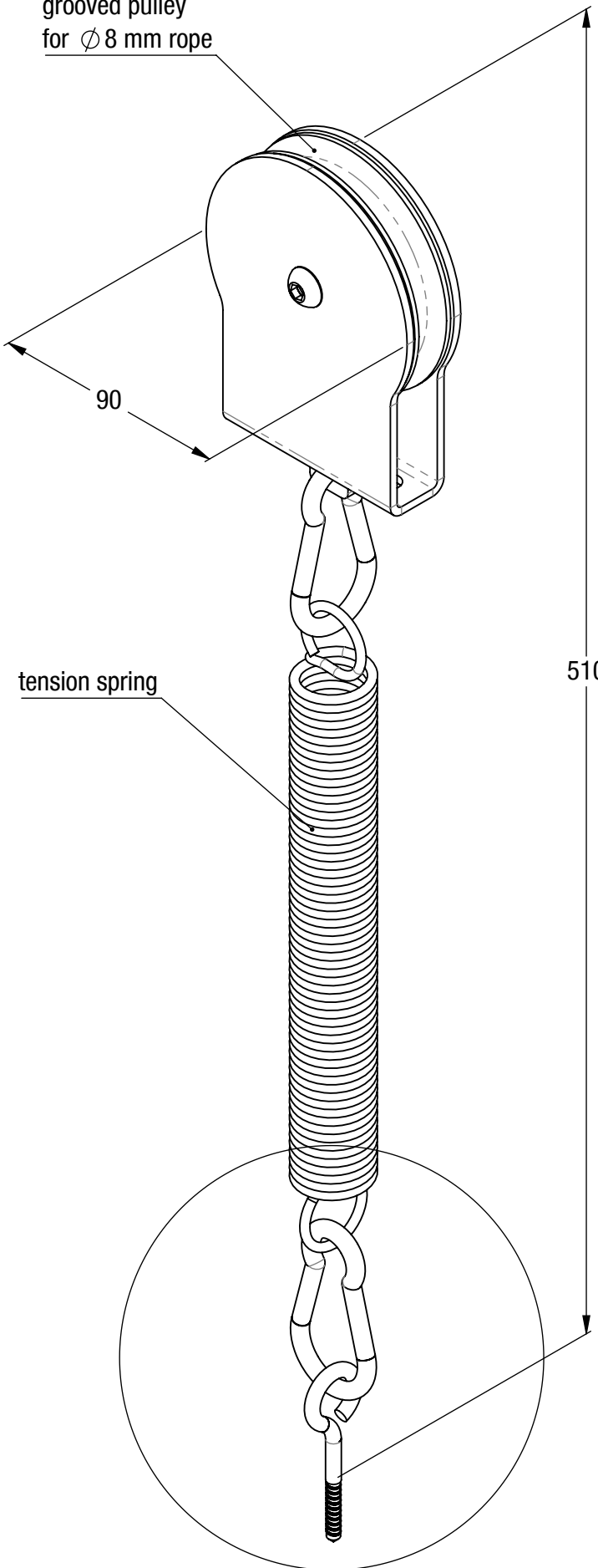
REV.  
01



Sandbag/weight not included.

grooved pulley  
for  $\varnothing 8$  mm rope

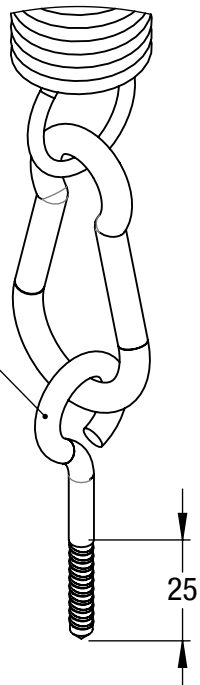
90



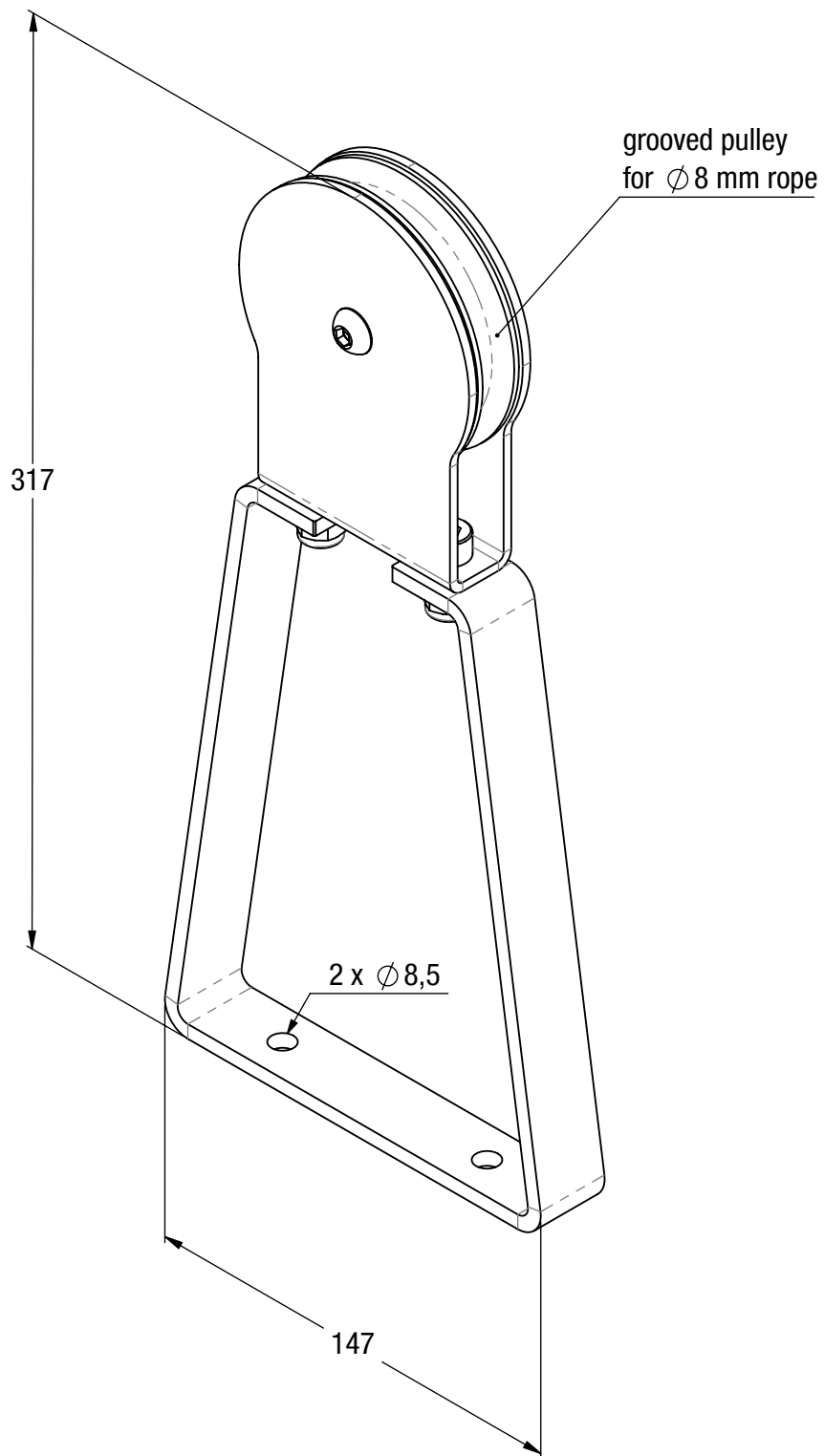
510

tension spring

eyelet wood screw



25



© PERONI S.P.A. COPYRIGHT

THIS DRAWING REMAINS THE PROPERTY OF PERONI S.P.A.  
AND MAY NOT BE COPIED OR REPRODUCED IN WHOLE OR IN PART  
WITHOUT PRIOR WRITTEN APPROVAL FROM THIS COMPANY.

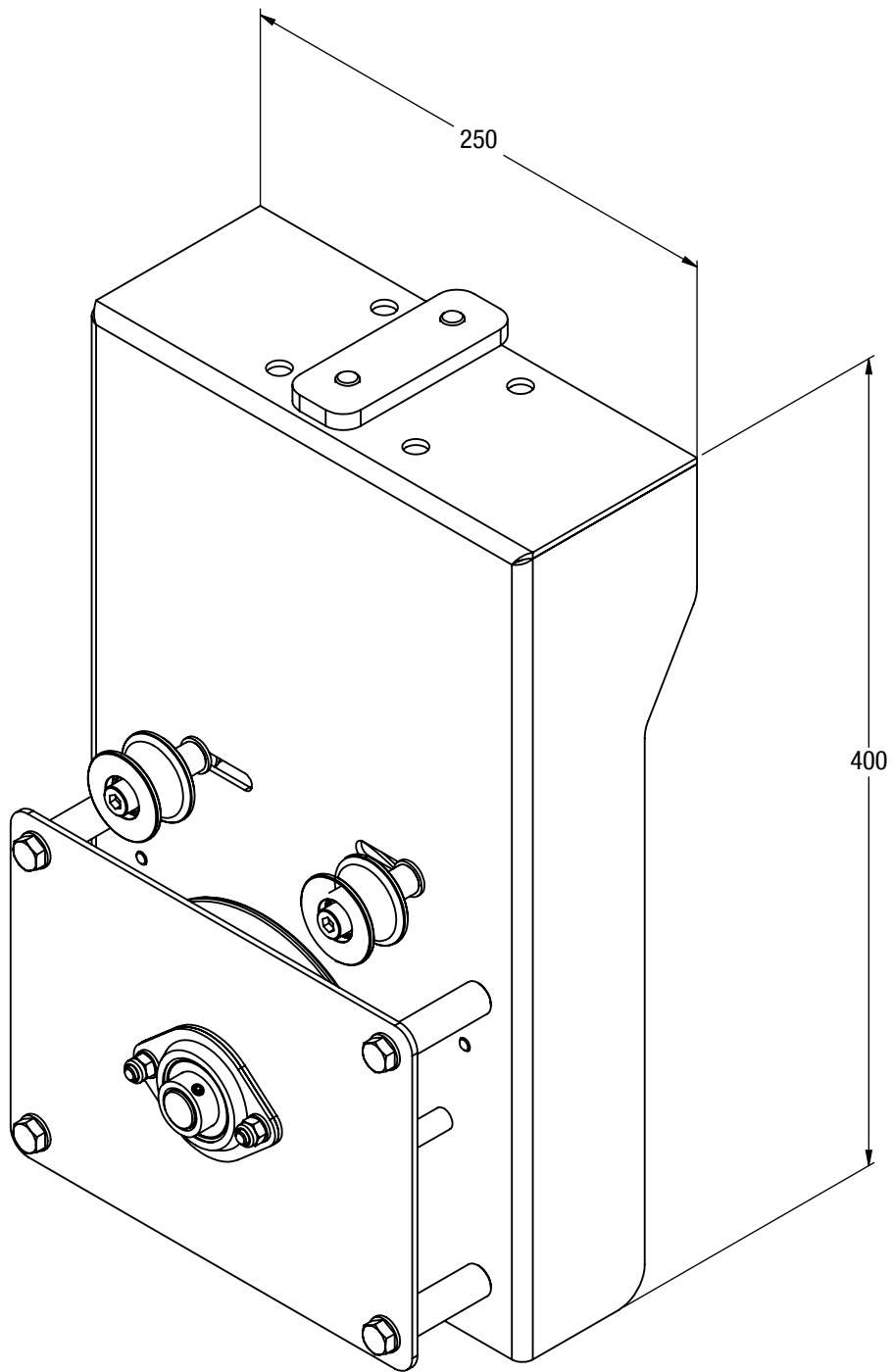


PERONI S.P.A.  
VIA MONTE LEONE, 93  
21013 GALLARATE (VA) - ITALIA  
[www.peroni.com](http://www.peroni.com)

TITLE  
1Z04 - FLOOR PULLEY  
WITH FOOT STIRRUP

REV.

00



© PERONI S.P.A. COPYRIGHT

THIS DRAWING REMAINS THE PROPERTY OF PERONI S.P.A.  
AND MAY NOT BE COPIED OR REPRODUCED IN WHOLE OR IN PART  
WITHOUT PRIOR WRITTEN APPROVAL FROM THIS COMPANY.



PERONI S.P.A.  
VIA MONTE LEONE, 93  
21013 GALLARATE (VA) - ITALIA  
[www.peroni.com](http://www.peroni.com)

TITLE  
1Z06 - ROPE ADAPTER DEVICE

REV.  
00

