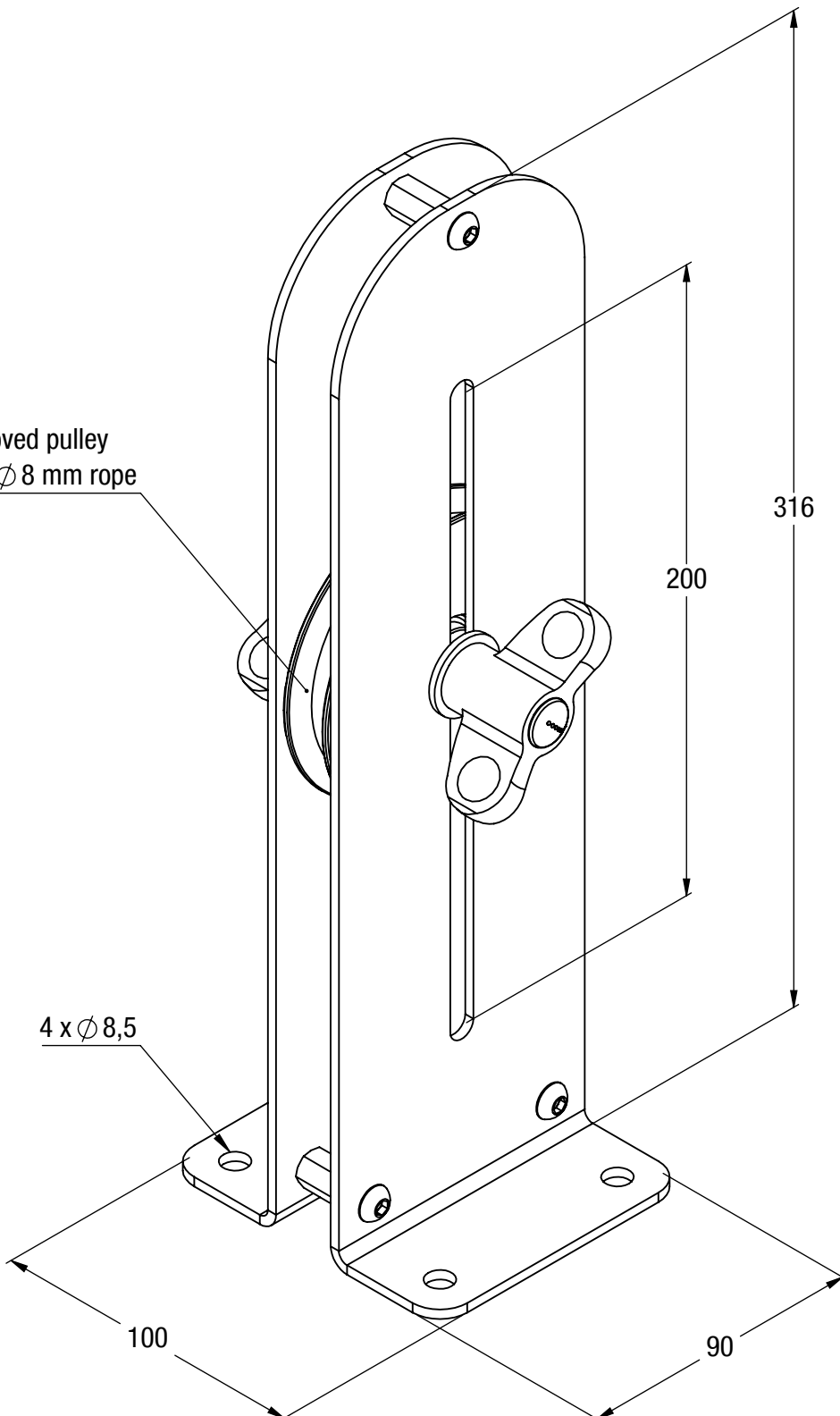


grooved pulley  
for  $\varnothing 8$  mm rope



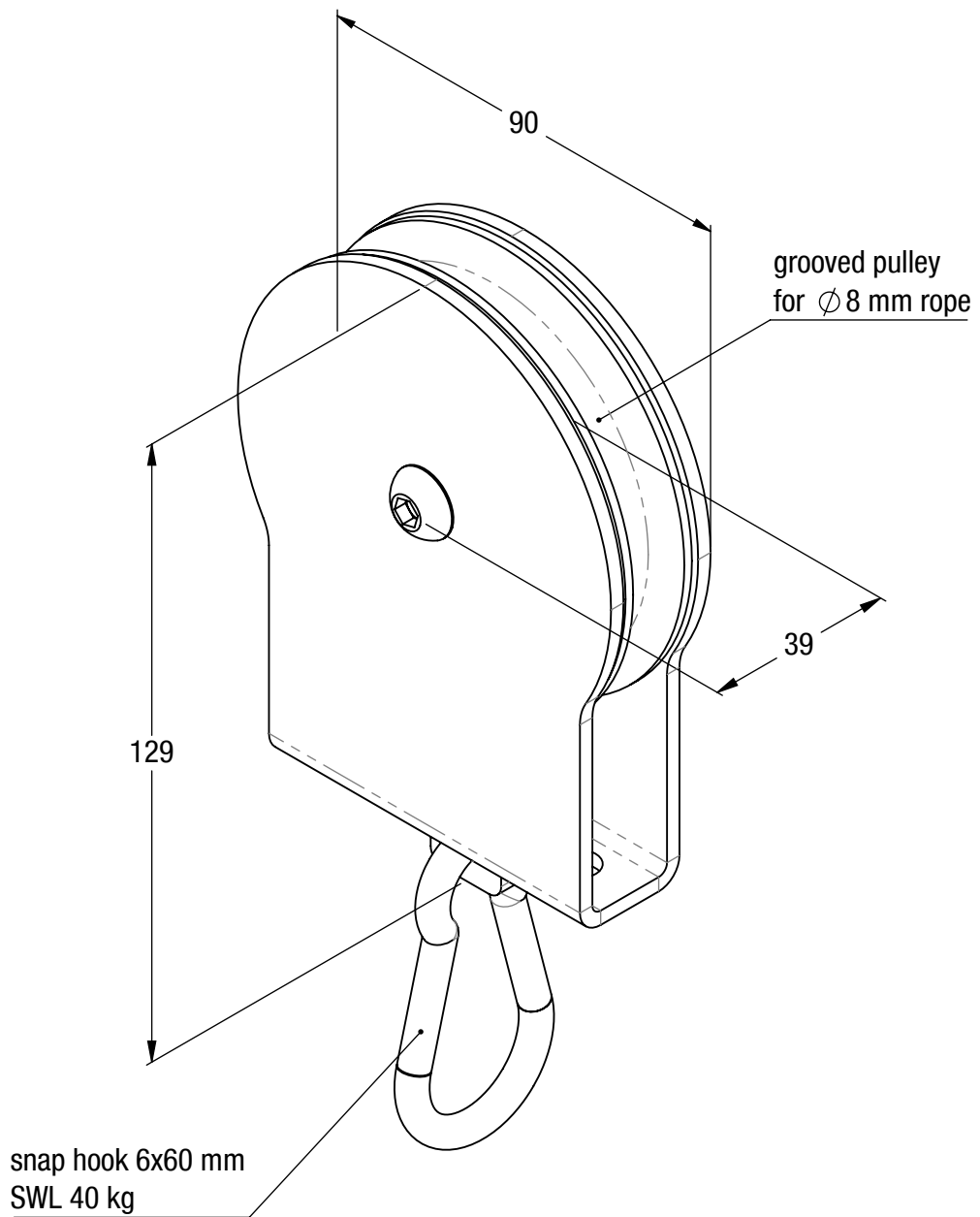
4 x  $\varnothing 8,5$

100

90

200

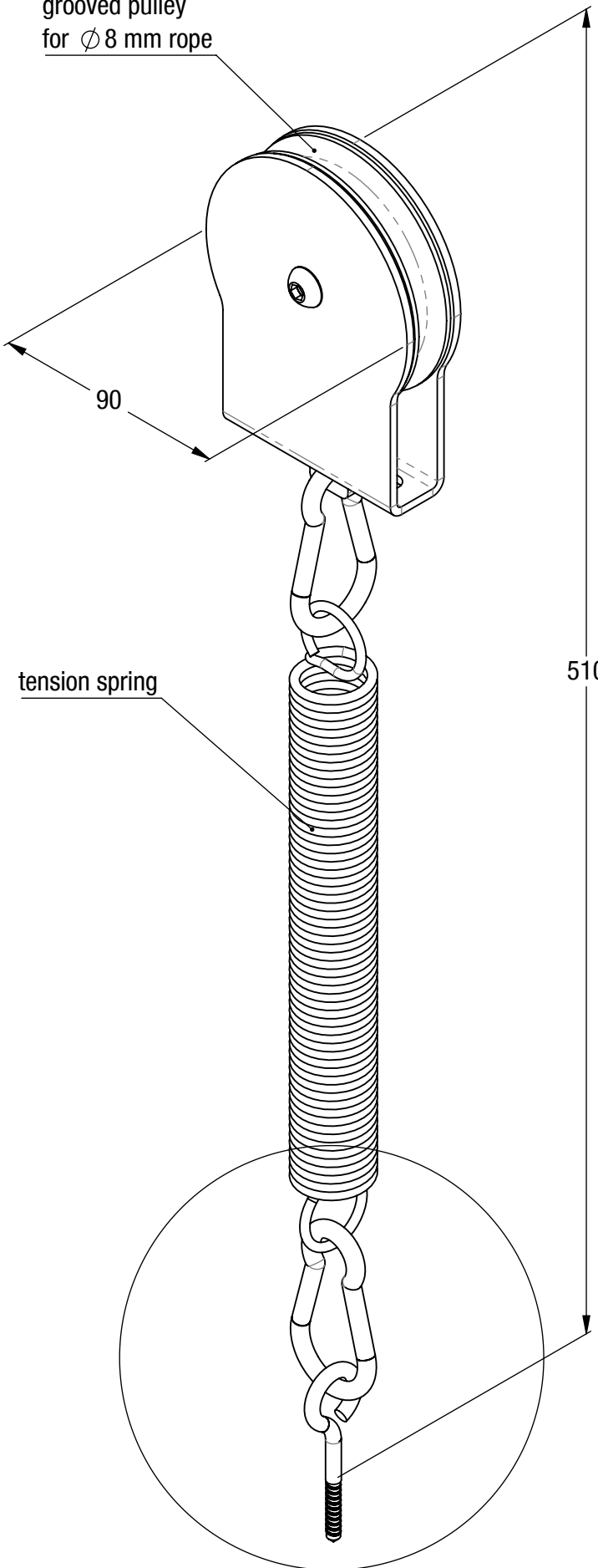
316



Sandbag/weight not included.

grooved pulley  
for  $\varnothing 8$  mm rope

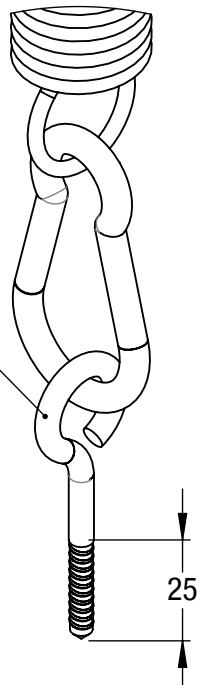
90



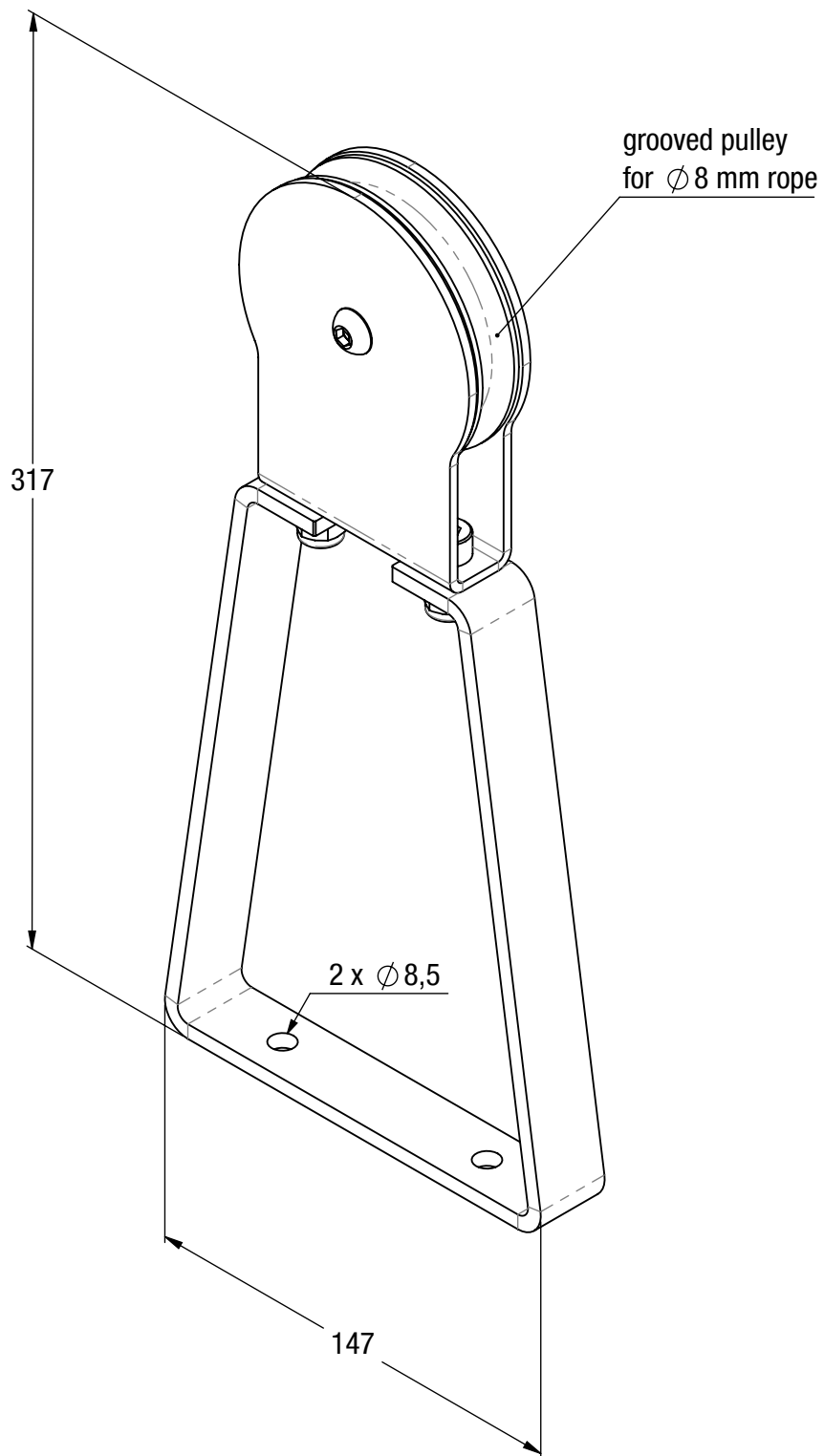
510

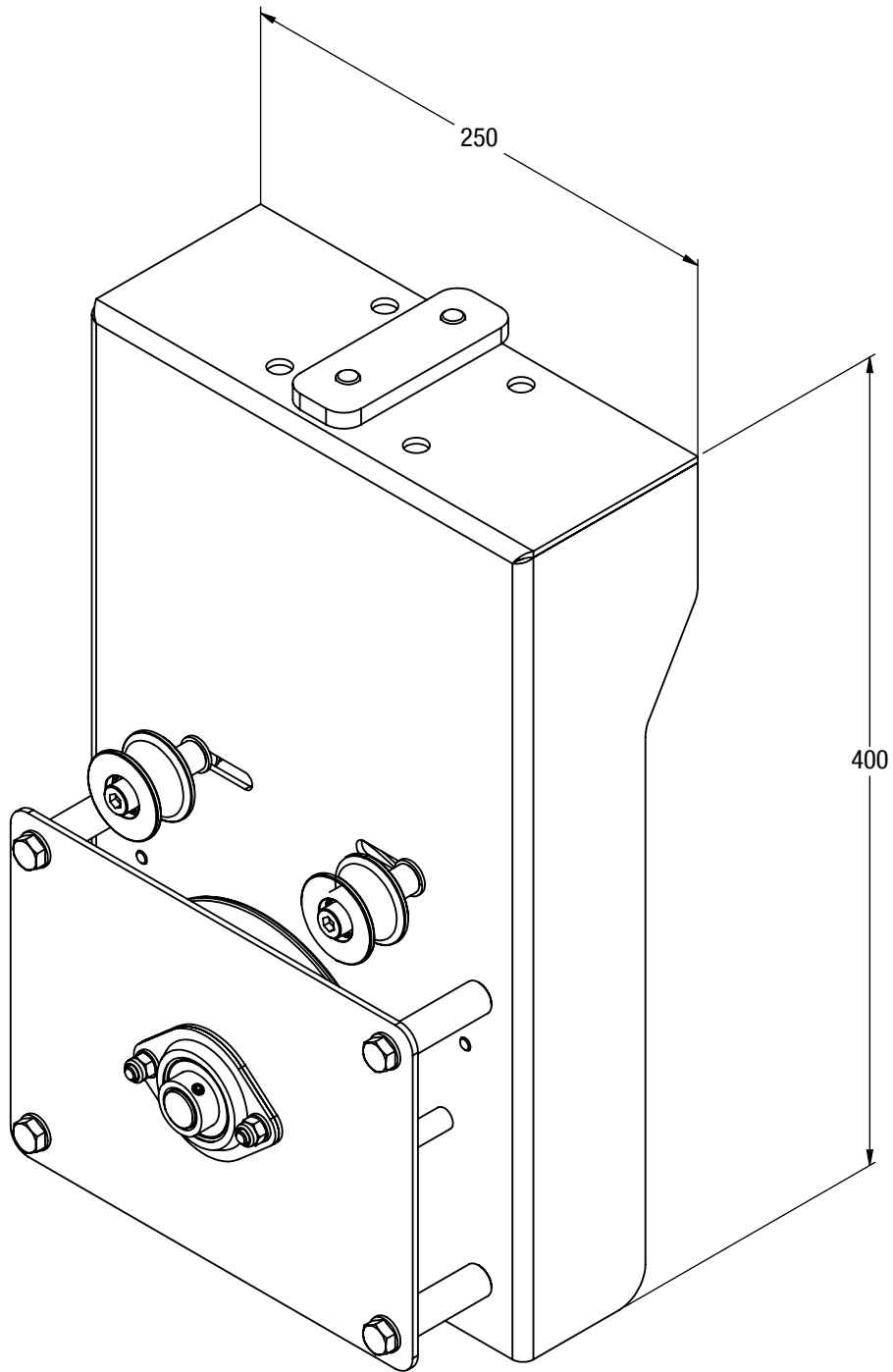
tension spring

eyelet wood screw



25





© PERONI S.P.A. COPYRIGHT

THIS DRAWING REMAINS THE PROPERTY OF PERONI S.P.A.  
AND MAY NOT BE COPIED OR REPRODUCED IN WHOLE OR IN PART  
WITHOUT PRIOR WRITTEN APPROVAL FROM THIS COMPANY.



PERONI S.P.A.  
VIA MONTE LEONE, 93  
21013 GALLARATE (VA) - ITALIA  
[www.peroni.com](http://www.peroni.com)

TITLE  
1Z06 - ROPE ADAPTER DEVICE

REV.  
00

