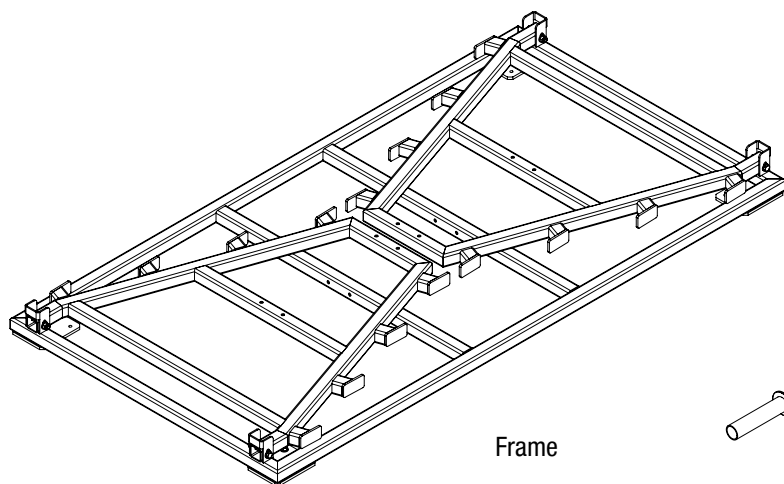
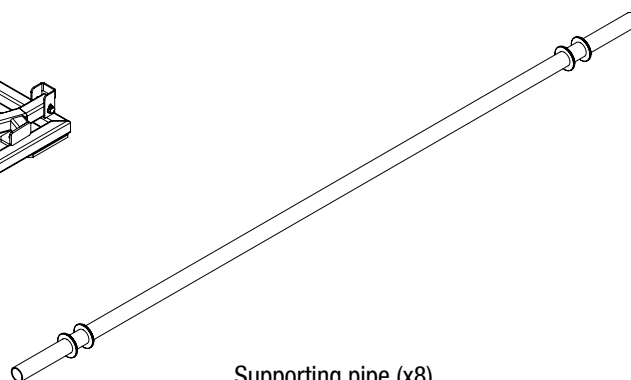


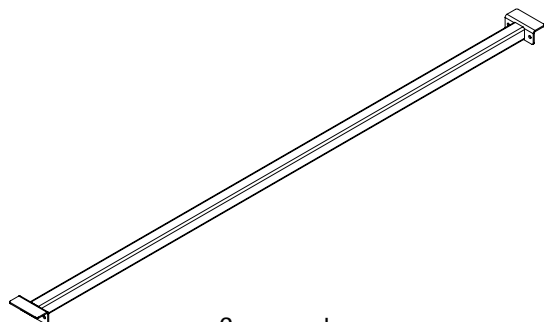
COMPONENTS LIST



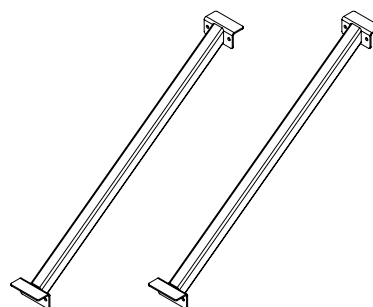
Frame



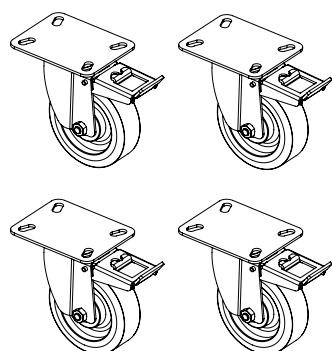
Supporting pipe (x8)



Crossmember



Diagonal Bracing bars



Castors



M8x60 hex head screw (x12)



M8 washer (x24)



M8 self-locking hex nut (x12)



M10x30 hex head screw (x16)

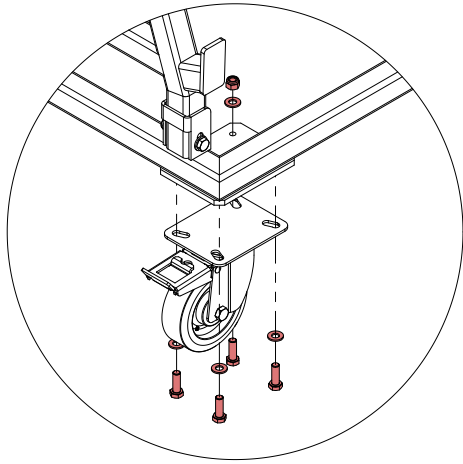


M10 washer (x20)

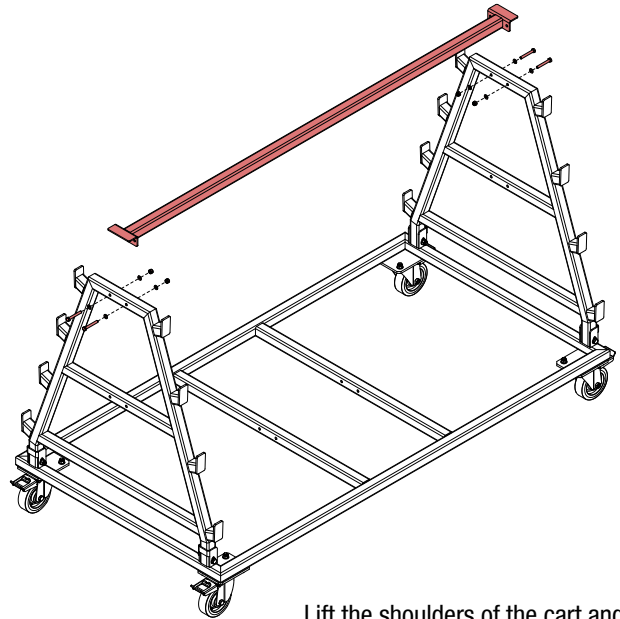


M10 self-locking hex nut (x4)

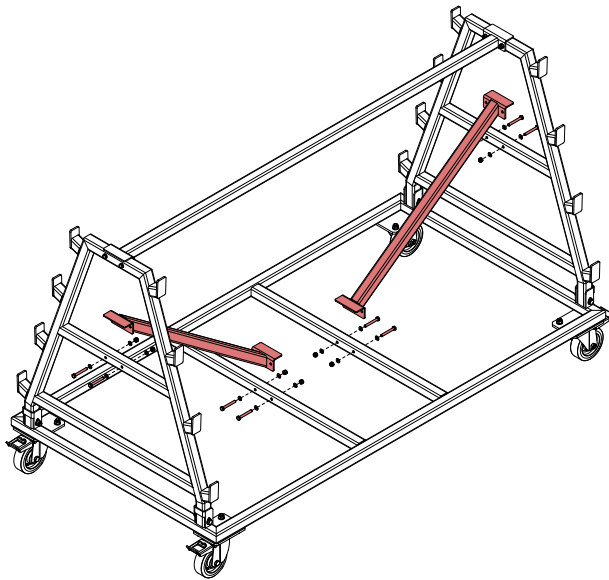
ASSEMBLY INSTRUCTIONS



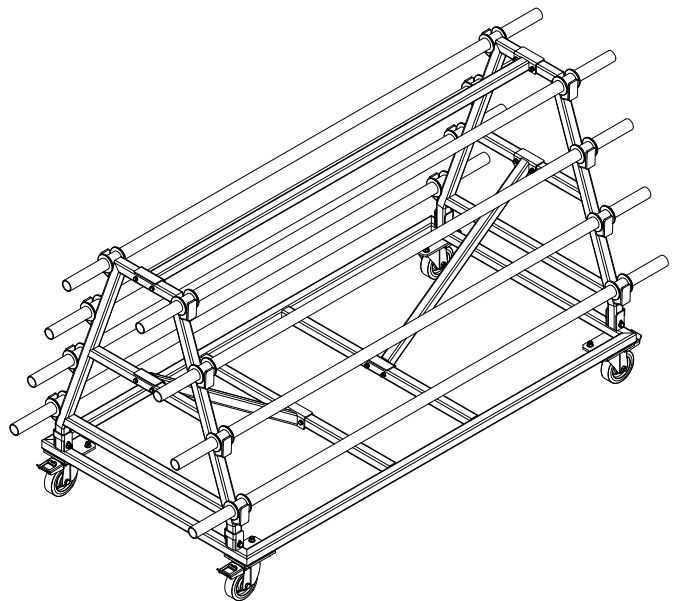
Screw the 4 castors to the respective plates using M10x30 screws



Lift the shoulders of the cart and screw in the crossmember using M8x60 bolts.



Secure the two diagonal stabilizing bars, using M8x60 bolts.



Place the support rods for the dance floor rolls in position.



CAUTION!

Load the rolls from the bottom, ensuring even weight distribution, and always unload the cart from the top down for enhanced stability.

© PERONI S.P.A. COPYRIGHT

THIS DRAWING REMAINS THE PROPERTY OF PERONI S.P.A.
AND MAY NOT BE COPIED OR REPRODUCED IN WHOLE OR IN PART
WITHOUT PRIOR WRITTEN APPROVAL FROM THIS COMPANY.



PERONI S.P.A.
VIA MONTE LEONE, 93
21013 GALLARATE (VA) - ITALIA
www.peroni.com

TITLE
9CT - DANCE FLOOR CART
Assembly Instructions

REV.

03