

GENERAL NOTES:

- The following models illustrate some typical configurations of the TRX10 system operated by hand line (rope).
The models also show some views which indicate the overall dimensions of the batten mounted system.
- Some elements (joints and fixing part for example) may have been omitted from the drawing for sake of clarity
- Other installations/operating options are possible as an alternative to the models shown and customized solutions can be developed to suit particular needs.

For more information, please contact our technical department.

© PERONI S.P.A. COPYRIGHT
THIS DRAWING REMAINS THE PROPERTY OF PERONI S.P.A
AND MAY NOT BE COPIED OR REPRODUCED IN WHOLE OR IN PART
WITHOUT PRIOR WRITTEN APPROVAL FROM THIS COMPANY.



PERONI S.P.A.
VIA MONTE LEONE, 93
21013 GALLARATE (VA) - ITALIA
www.peroni.com

TITLE
TRX10 - CORDING DIAGRAMS
MOST TYPICAL CONFIGURATIONS

SCALE

-

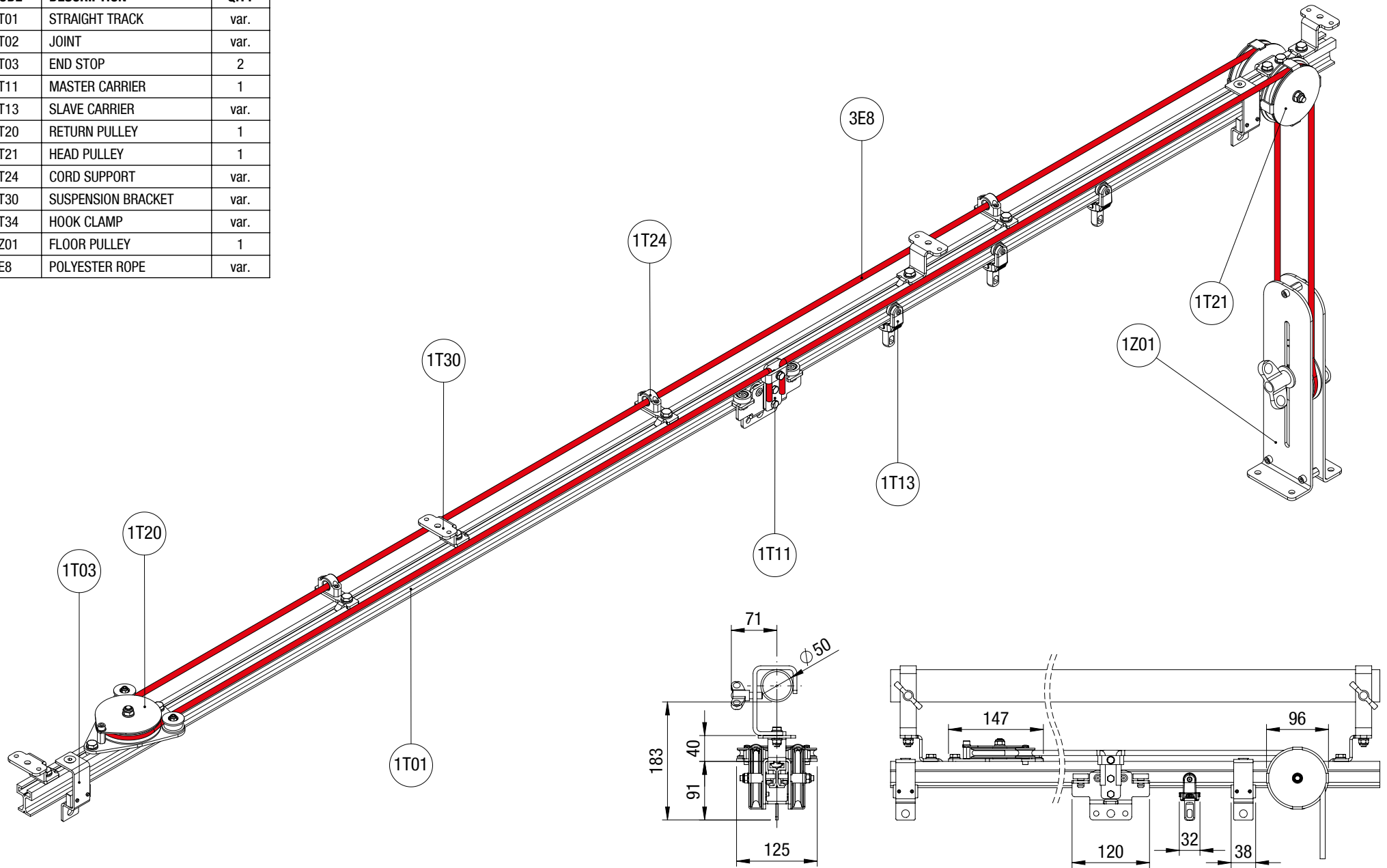
DRAWING NUMBER

00-1T

REV.

01

CODE	DESCRIPTION	Q.TY
1T01	STRAIGHT TRACK	var.
1T02	JOINT	var.
1T03	END STOP	2
1T11	MASTER CARRIER	1
1T13	SLAVE CARRIER	var.
1T20	RETURN PULLEY	1
1T21	HEAD PULLEY	1
1T24	CORD SUPPORT	var.
1T30	SUSPENSION BRACKET	var.
1T34	HOOK CLAMP	var.
1Z01	FLOOR PULLEY	1
3E8	POLYESTER ROPE	var.



© PERONI S.P.A. COPYRIGHT
 THIS DRAWING REMAINS THE PROPERTY OF PERONI S.P.A.
 AND MAY NOT BE COPIED OR REPRODUCED IN WHOLE OR IN PART
 WITHOUT PRIOR WRITTEN APPROVAL FROM THIS COMPANY.

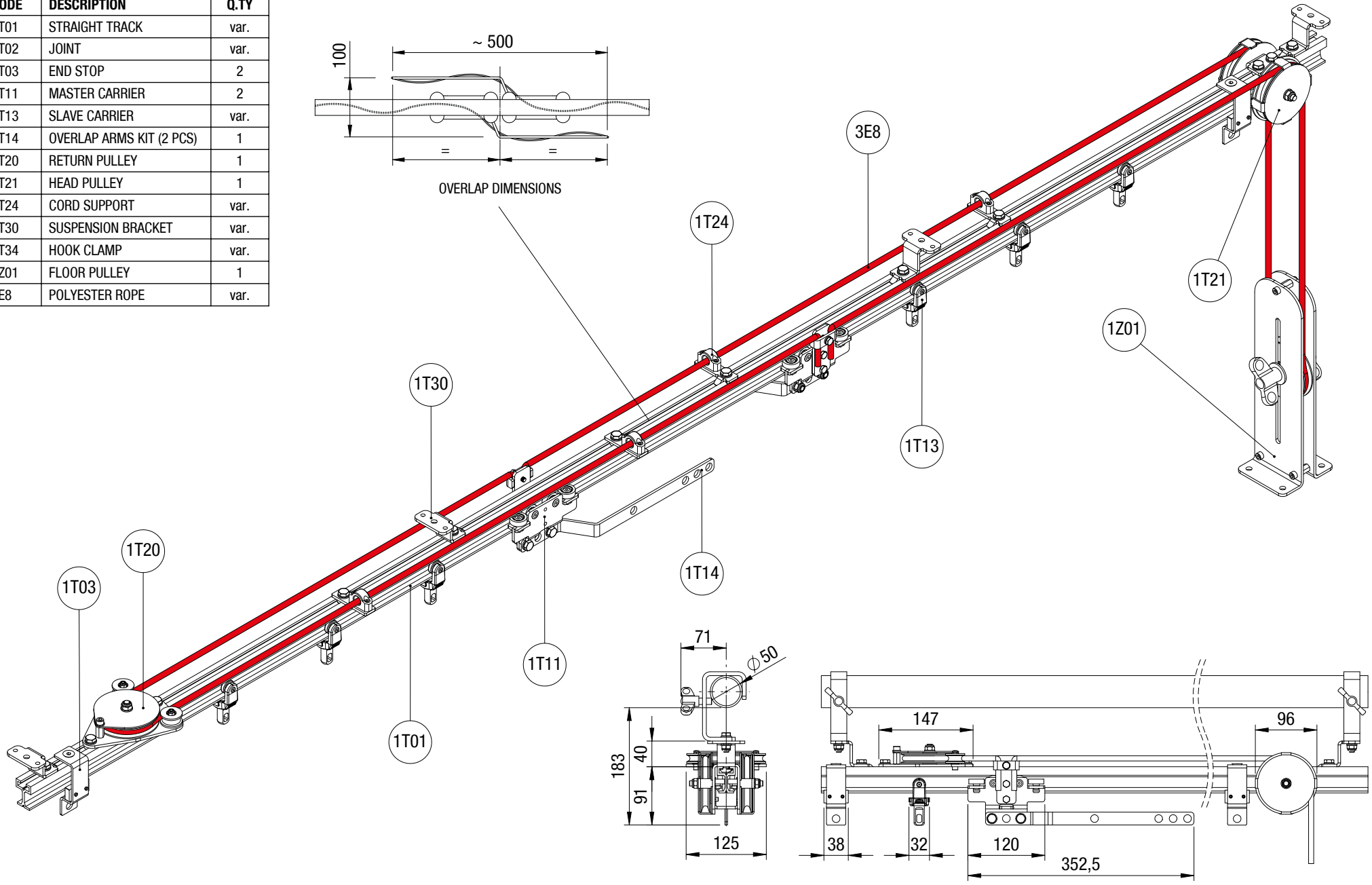
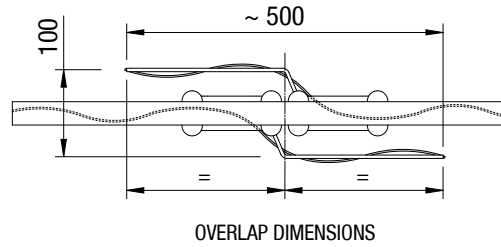


PERONI S.P.A.
 VIA MONTE LEONE, 93
 21013 GALLARATE (VA) - ITALIA
www.peroni.com

TITLE
 TRX10 - STRAIGHT TRACK
 WIPE CURTAIN

SCALE	DRAWING NUMBER	REV.
-	01-1T	02

CODE	DESCRIPTION	Q.TY
1T01	STRAIGHT TRACK	var.
1T02	JOINT	var.
1T03	END STOP	2
1T11	MASTER CARRIER	2
1T13	SLAVE CARRIER	var.
1T14	OVERLAP ARMS KIT (2 PCS)	1
1T20	RETURN PULLEY	1
1T21	HEAD PULLEY	1
1T24	CORD SUPPORT	var.
1T30	SUSPENSION BRACKET	var.
1T34	HOOK CLAMP	var.
1Z01	FLOOR PULLEY	1
3E8	POLYESTER ROPE	var.



© PERONI S.P.A. COPYRIGHT
 THIS DRAWING REMAINS THE PROPERTY OF PERONI S.P.A.
 AND MAY NOT BE COPIED OR REPRODUCED IN WHOLE OR IN PART
 WITHOUT PRIOR WRITTEN APPROVAL FROM THIS COMPANY.

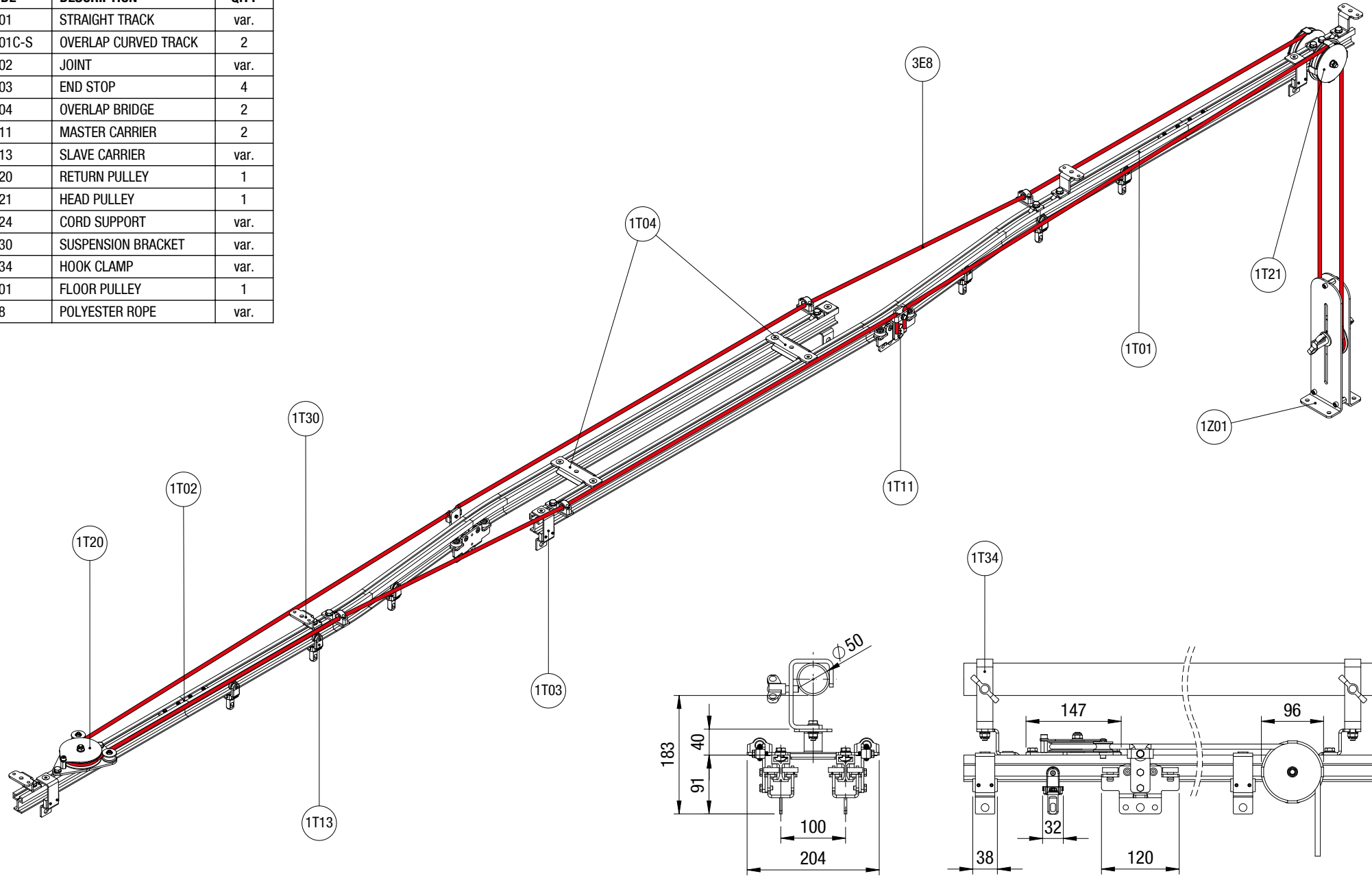


PERONI S.P.A.
 VIA MONTE LEONE, 93
 21013 GALLARATE (VA) - ITALIA
www.peroni.com

TITLE
**STRAIGHT TRACK, MANUAL CORDED SYSTEM
 BI-PARTING CURTAIN WITH OVERLAP ARMS**

SERIES	DRAWING NUMBER	REV.
TRX10	02-1T	01

CODE	DESCRIPTION	Q.TY
1T01	STRAIGHT TRACK	var.
1T01C-S	OVERLAP CURVED TRACK	2
1T02	JOINT	var.
1T03	END STOP	4
1T04	OVERLAP BRIDGE	2
1T11	MASTER CARRIER	2
1T13	SLAVE CARRIER	var.
1T20	RETURN PULLEY	1
1T21	HEAD PULLEY	1
1T24	CORD SUPPORT	var.
1T30	SUSPENSION BRACKET	var.
1T34	HOOK CLAMP	var.
1Z01	FLOOR PULLEY	1
3E8	POLYESTER ROPE	var.



© PERONI S.P.A. COPYRIGHT
 THIS DRAWING REMAINS THE PROPERTY OF PERONI S.P.A.
 AND MAY NOT BE COPIED OR REPRODUCED IN WHOLE OR IN PART
 WITHOUT PRIOR WRITTEN APPROVAL FROM THIS COMPANY.

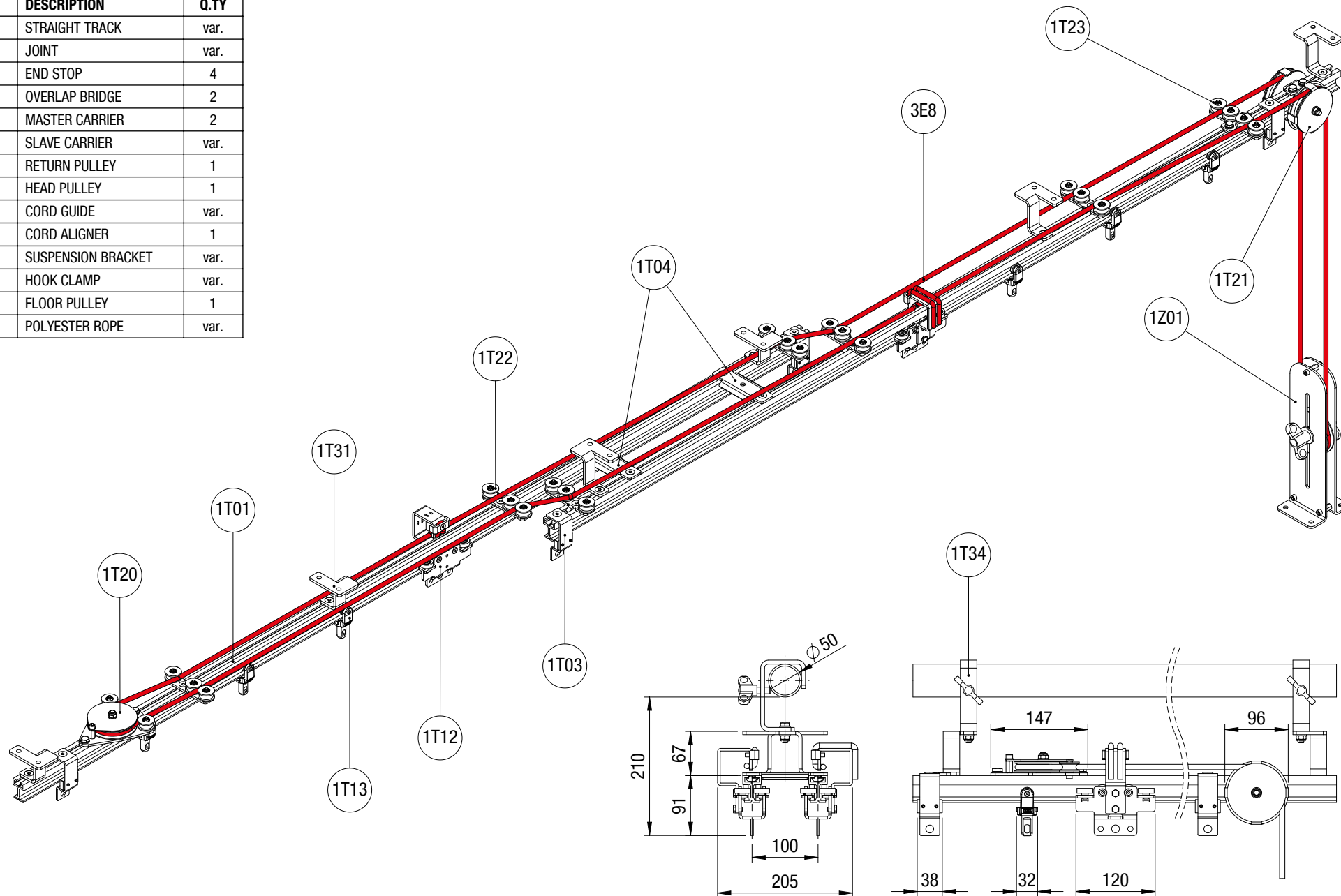


PERONI S.P.A.
 VIA MONTE LEONE, 93
 21013 GALLARATE (VA) - ITALIA
www.peroni.com

TITLE
STRAIGHT TRACK, MANUAL CORDED SYSTEM
BI-PARTING CURTAIN, COAXIAL OFFSET OVERLAP

SERIES	DRAWING NUMBER	REV.
TRX10	03-1T	01

CODE	DESCRIPTION	Q.TY
1T01	STRAIGHT TRACK	var.
1T02	JOINT	var.
1T03	END STOP	4
1T04	OVERLAP BRIDGE	2
1T12	MASTER CARRIER	2
1T13	SLAVE CARRIER	var.
1T20	RETURN PULLEY	1
1T21	HEAD PULLEY	1
1T22	CORD GUIDE	var.
1T23	CORD ALIGNER	1
1T31	SUSPENSION BRACKET	var.
1T34	HOOK CLAMP	var.
1Z01	FLOOR PULLEY	1
3E8	POLYESTER ROPE	var.



© PERONI S.P.A. COPYRIGHT
 THIS DRAWING REMAINS THE PROPERTY OF PERONI S.P.A.
 AND MAY NOT BE COPIED OR REPRODUCED IN WHOLE OR IN PART
 WITHOUT PRIOR WRITTEN APPROVAL FROM THIS COMPANY.

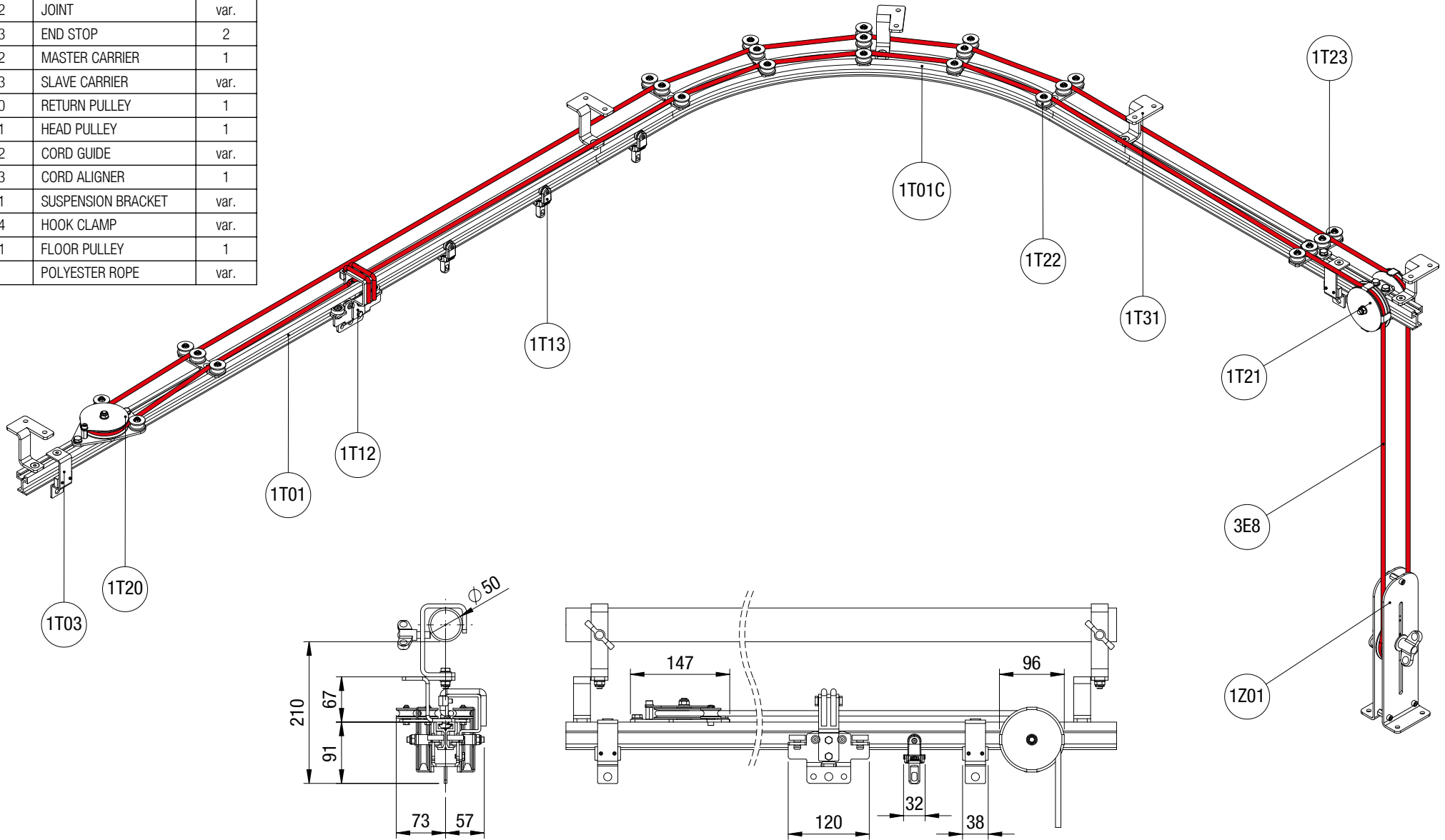


PERONI S.P.A.
 VIA MONTE LEONE, 93
 21013 GALLARATE (VA) - ITALIA
 www.peroni.com

TITLE
**STRAIGHT TRACK, MANUAL CORDED SYSTEM
 BI-PARTING CURTAIN WITH OFFSET OVERLAP**

SERIES	DRAWING NUMBER	REV.
TRX10	04-1T	01

CODE	DESCRIPTION	Q.TY
1T01	STRAIGHT TRACK	var.
1T01C	CURVED TRACK	1
1T02	JOINT	var.
1T03	END STOP	2
1T12	MASTER CARRIER	1
1T13	SLAVE CARRIER	var.
1T20	RETURN PULLEY	1
1T21	HEAD PULLEY	1
1T22	CORD GUIDE	var.
1T23	CORD ALIGNER	1
1T31	SUSPENSION BRACKET	var.
1T34	HOOK CLAMP	var.
1Z01	FLOOR PULLEY	1
3E8	POLYESTER ROPE	var.



© PERONI S.P.A. COPYRIGHT
 THIS DRAWING REMAINS THE PROPERTY OF PERONI S.P.A.
 AND MAY NOT BE COPIED OR REPRODUCED IN WHOLE OR IN PART
 WITHOUT PRIOR WRITTEN APPROVAL FROM THIS COMPANY.

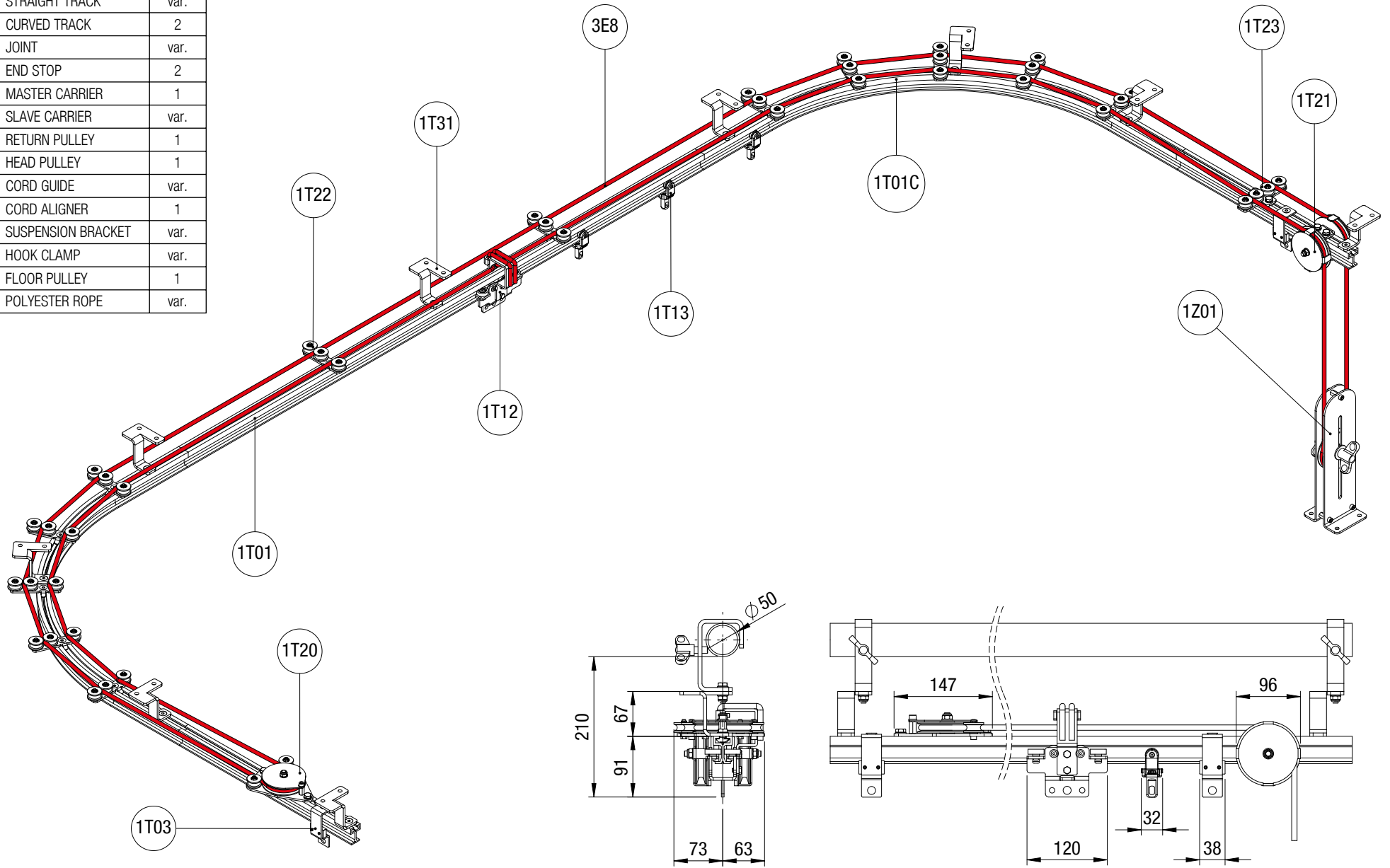


PERONI S.P.A.
 VIA MONTE LEONE, 93
 21013 GALLARATE (VA) - ITALIA
www.peroni.com

TITLE
L-SHAPED TRACK, MANUAL CORDED SYSTEM
SINGLE CURTAIN

SERIES	DRAWING NUMBER	REV.
TRX10	05-1T	01

CODE	DESCRIPTION	Q.TY
1T01	STRAIGHT TRACK	var.
1T01C	CURVED TRACK	2
1T02	JOINT	var.
1T03	END STOP	2
1T12	MASTER CARRIER	1
1T13	SLAVE CARRIER	var.
1T20	RETURN PULLEY	1
1T21	HEAD PULLEY	1
1T22	CORD GUIDE	var.
1T23	CORD ALIGNER	1
1T31	SUSPENSION BRACKET	var.
1T34	HOOK CLAMP	var.
1Z01	FLOOR PULLEY	1
3E8	POLYESTER ROPE	var.



© PERONI S.P.A. COPYRIGHT
 THIS DRAWING REMAINS THE PROPERTY OF PERONI S.P.A.
 AND MAY NOT BE COPIED OR REPRODUCED IN WHOLE OR IN PART
 WITHOUT PRIOR WRITTEN APPROVAL FROM THIS COMPANY.

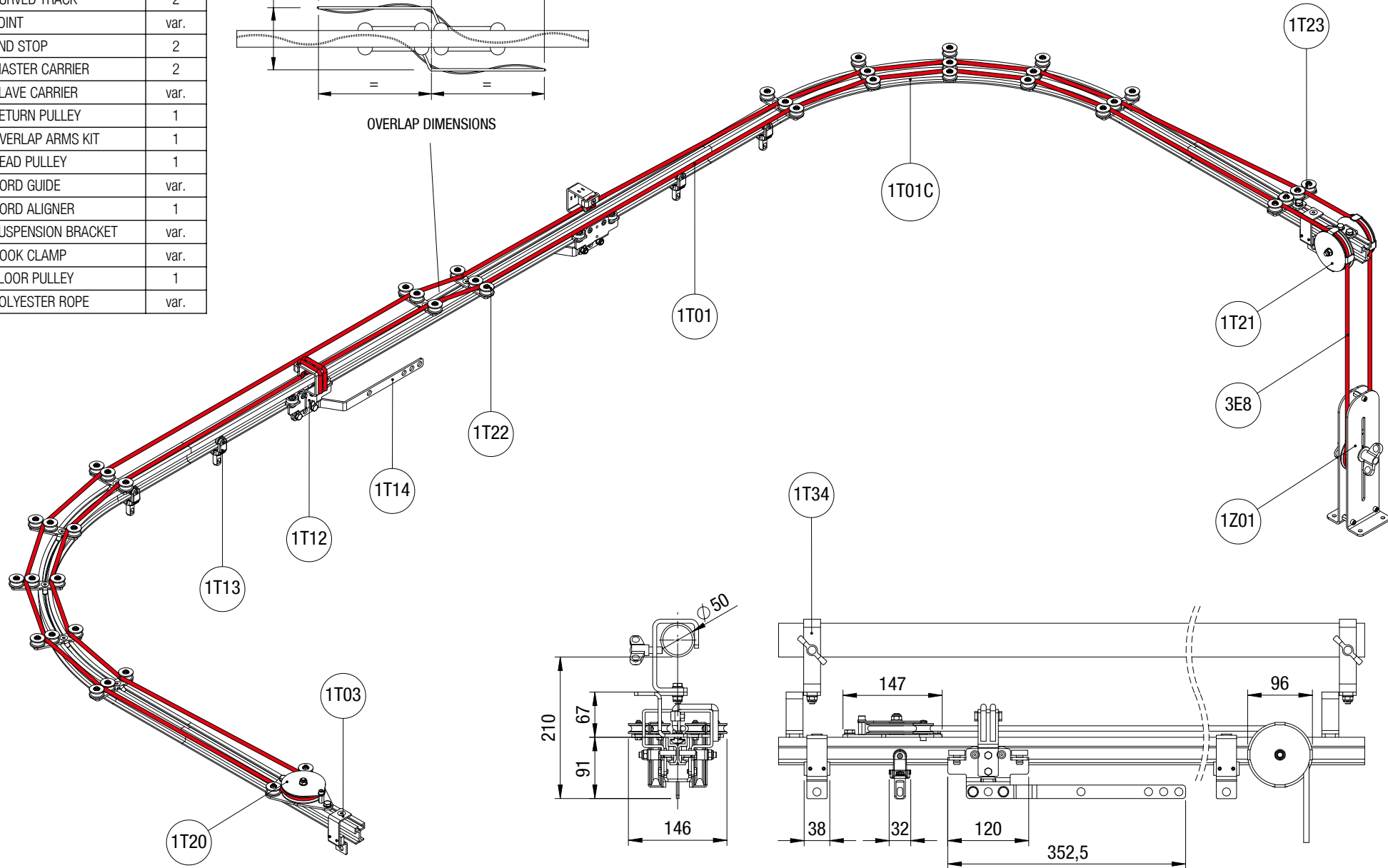
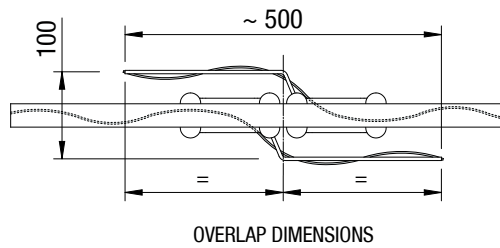


PERONI S.P.A.
 VIA MONTE LEONE, 93
 21013 GALLARATE (VA) - ITALIA
www.peroni.com

TITLE
 U-SHAPED TRACK, MANUAL CORDED SYSTEM
 SINGLE CURTAIN

SERIES	DRAWING NUMBER	REV.
TRX10	06-1T	01

CODE	DESCRIPTION	Q.TY
1T01	STRAIGHT TRACK	var.
1T01C	CURVED TRACK	2
1T02	JOINT	var.
1T03	END STOP	2
1T12	MASTER CARRIER	2
1T13	SLAVE CARRIER	var.
1T20	RETURN PULLEY	1
1T14	OVERLAP ARMS KIT	1
1T21	HEAD PULLEY	1
1T22	CORD GUIDE	var.
1T23	CORD ALIGNER	1
1T31	SUSPENSION BRACKET	var.
1T34	HOOK CLAMP	var.
1Z01	FLOOR PULLEY	1
3E8	POLYESTER ROPE	var.



© PERONI S.P.A. COPYRIGHT
 THIS DRAWING REMAINS THE PROPERTY OF PERONI S.P.A.
 AND MAY NOT BE COPIED OR REPRODUCED IN WHOLE OR IN PART
 WITHOUT PRIOR WRITTEN APPROVAL FROM THIS COMPANY.

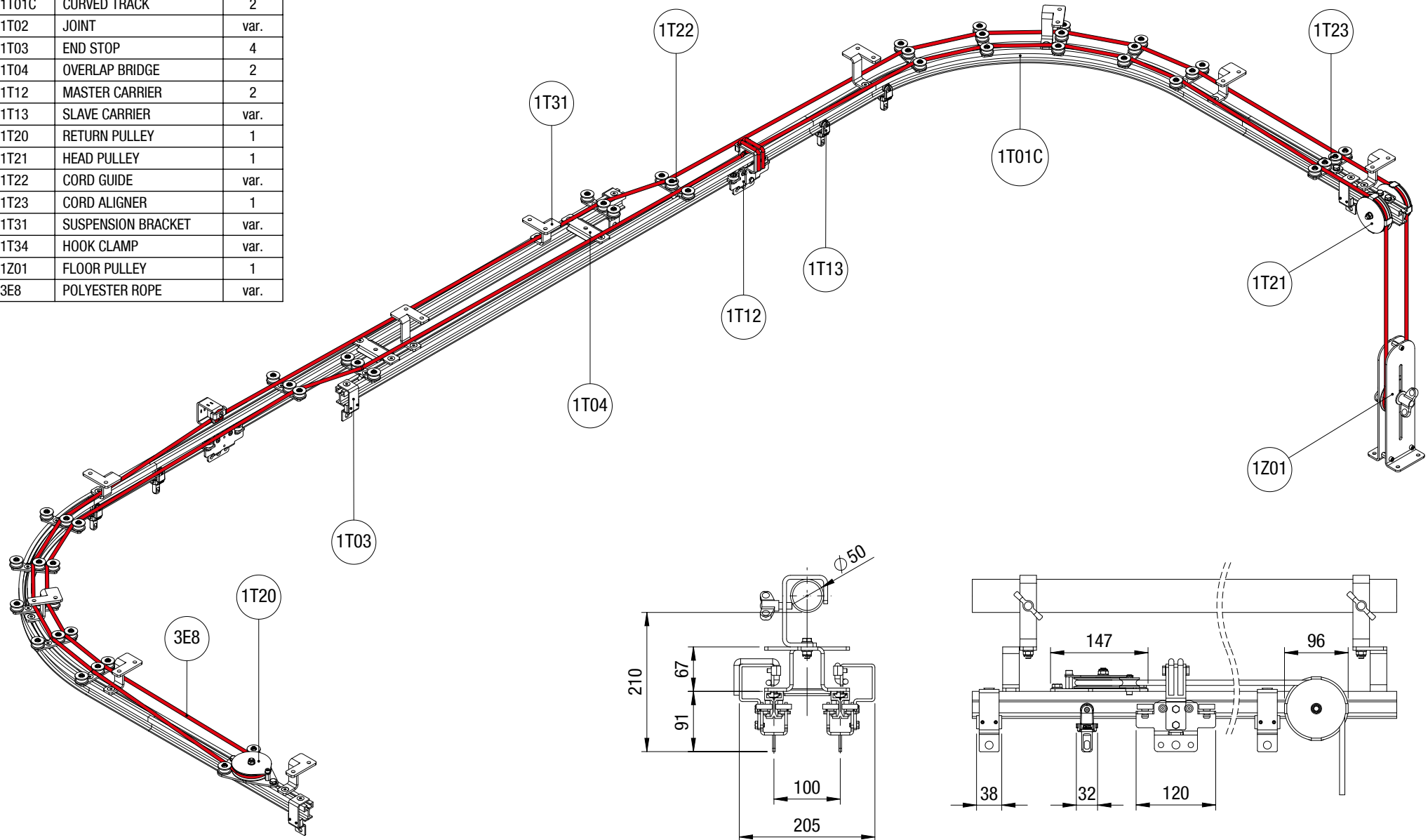


PERONI S.P.A.
 VIA MONTE LEONE, 93
 21013 GALLARATE (VA) - ITALIA
www.peroni.com

TITLE
**U-SHAPED TRACK, MANUAL CORDED SYSTEM
 BI-PARTING CURTAIN WITH OVERLAP ARMS**

SERIES	DRAWING NUMBER	REV.
TRX10	07-1T	01

CODE	DESCRIPTION	Q.TY
1T01	STRAIGHT TRACK	var.
1T01C	CURVED TRACK	2
1T02	JOINT	var.
1T03	END STOP	4
1T04	OVERLAP BRIDGE	2
1T12	MASTER CARRIER	2
1T13	SLAVE CARRIER	var.
1T20	RETURN PULLEY	1
1T21	HEAD PULLEY	1
1T22	CORD GUIDE	var.
1T23	CORD ALIGNER	1
1T31	SUSPENSION BRACKET	var.
1T34	HOOK CLAMP	var.
1Z01	FLOOR PULLEY	1
3E8	POLYESTER ROPE	var.



© PERONI S.P.A. COPYRIGHT
 THIS DRAWING REMAINS THE PROPERTY OF PERONI S.P.A.
 AND MAY NOT BE COPIED OR REPRODUCED IN WHOLE OR IN PART
 WITHOUT PRIOR WRITTEN APPROVAL FROM THIS COMPANY.

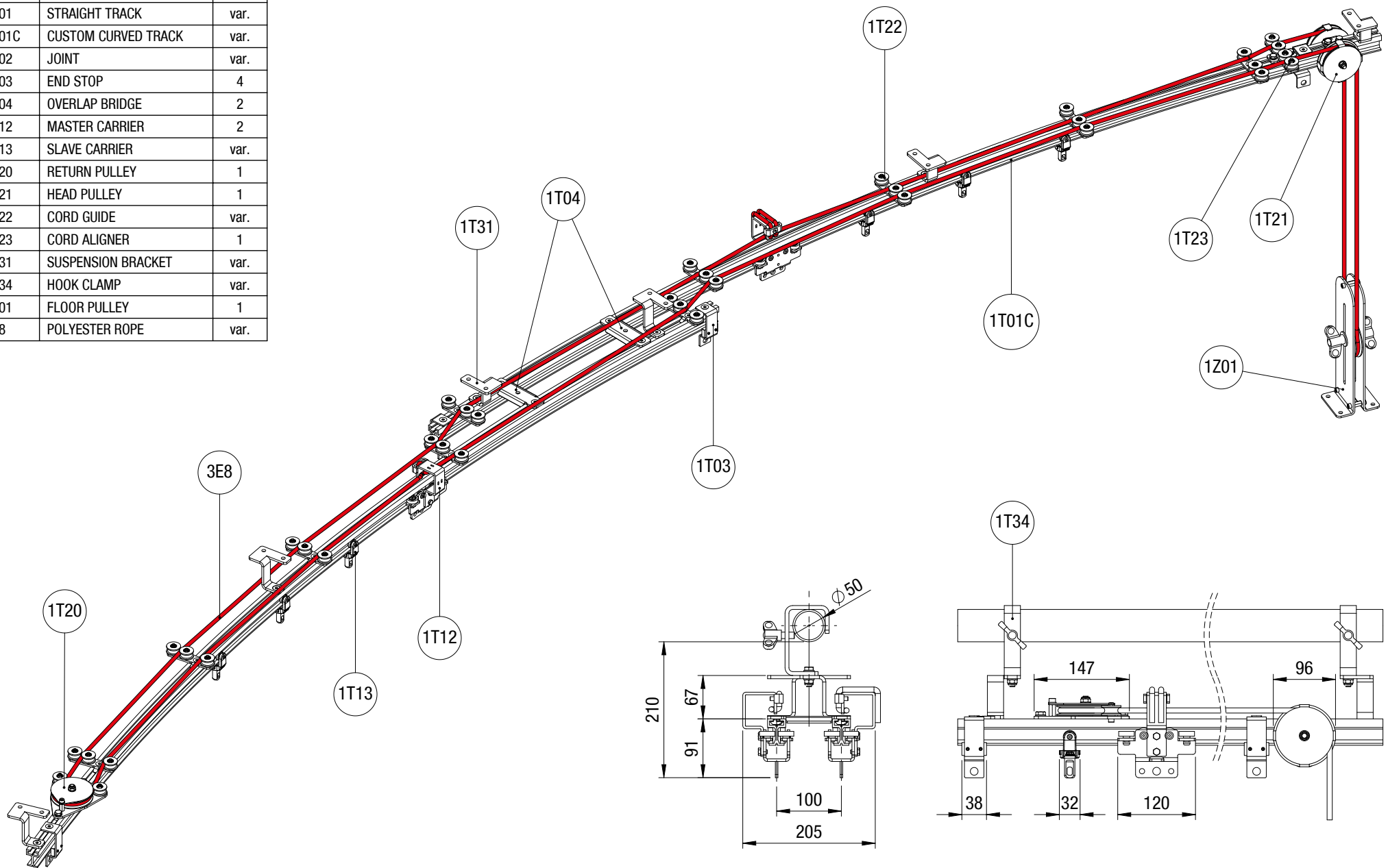


PERONI S.P.A.
 VIA MONTE LEONE, 93
 21013 GALLARATE (VA) - ITALIA
 www.peroni.com

TITLE
 U-SHAPED TRACK, MANUAL CORDED SYSTEM
 BI-PARTING CURTAIN WITH OFFSET OVERLAP

SERIES	DRAWING NUMBER	REV.
TRX10	08-1T	01

CODE	DESCRIPTION	Q.TY
1T01	STRAIGHT TRACK	var.
1T01C	CUSTOM CURVED TRACK	var.
1T02	JOINT	var.
1T03	END STOP	4
1T04	OVERLAP BRIDGE	2
1T12	MASTER CARRIER	2
1T13	SLAVE CARRIER	var.
1T20	RETURN PULLEY	1
1T21	HEAD PULLEY	1
1T22	CORD GUIDE	var.
1T23	CORD ALIGNER	1
1T31	SUSPENSION BRACKET	var.
1T34	HOOK CLAMP	var.
1Z01	FLOOR PULLEY	1
3E8	POLYESTER ROPE	var.



© PERONI S.P.A. COPYRIGHT
 THIS DRAWING REMAINS THE PROPERTY OF PERONI S.P.A.
 AND MAY NOT BE COPIED OR REPRODUCED IN WHOLE OR IN PART
 WITHOUT PRIOR WRITTEN APPROVAL FROM THIS COMPANY.



PERONI S.P.A.
 VIA MONTE LEONE, 93
 21013 GALLARATE (VA) - ITALIA
www.peroni.com

TITLE
**ARC-SHAPED TRACK, MANUAL CORDED SYSTEM
 BI-PARTING CURTAIN WITH OFFSET OVERLAP**

SERIES	DRAWING NUMBER	REV.
TRX10	09-1T	01