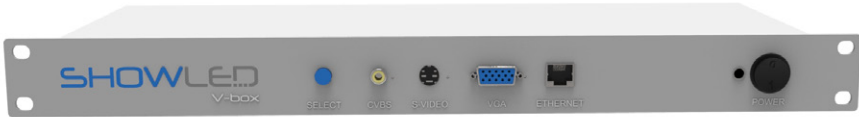


ShowLED V-Box



V-Box converts standard video formats into ShowLED's proprietary protocol to drive the ShowLED range of LED pixels - Animation, Hybrid & Dexter.

The unit connects to the network to communicate with Asterix and Animation control units.

The unit is versatile as it can drive simple Animation Starcloths to a complete building media facade.

Model : V-Box **Part No: SL-VBX-001**

Electrical:

Supply Voltage	90 -250V, 50-60Hz (auto-ranging)
Rated Power	20 VA

Control:

Network control of unit with proprietary protocol to control LEDs.
One V-Box supports up to 32,000 pixels.
Configured by ShowLed Editor software.

Physical:

I U-19" Rack Mount Chassis	Rack and surface-mountable
Dimensions	480mm (W) x 44mm (H) x 174mm (D)
Weight	1.95kg
Data Output	RJ-45
Video Input	VGA, Composite, S-Video
Power Input	IEC 60320 - C14
Operating Temperature	0°C..+50°C, <80% RH
Storage Temperature	0°C..+50°C, <60% RH
Environment	IP20

Resolution:

SVGA - 800 x 600

Accessories:

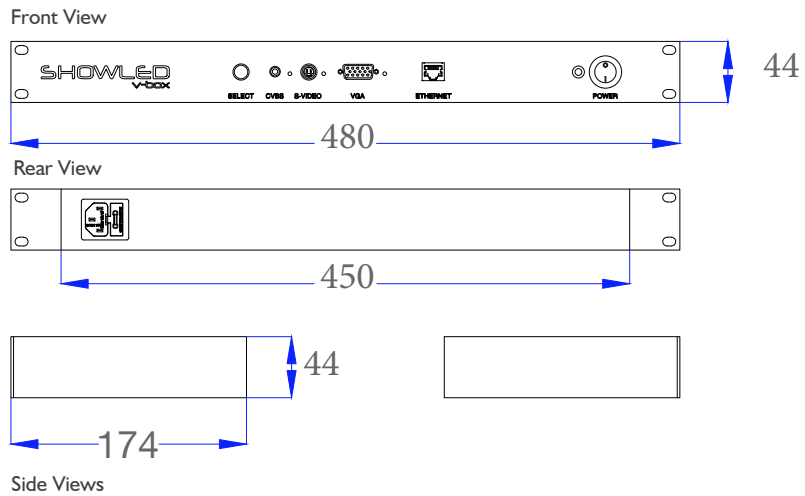
1 x Power cable

Certifications:

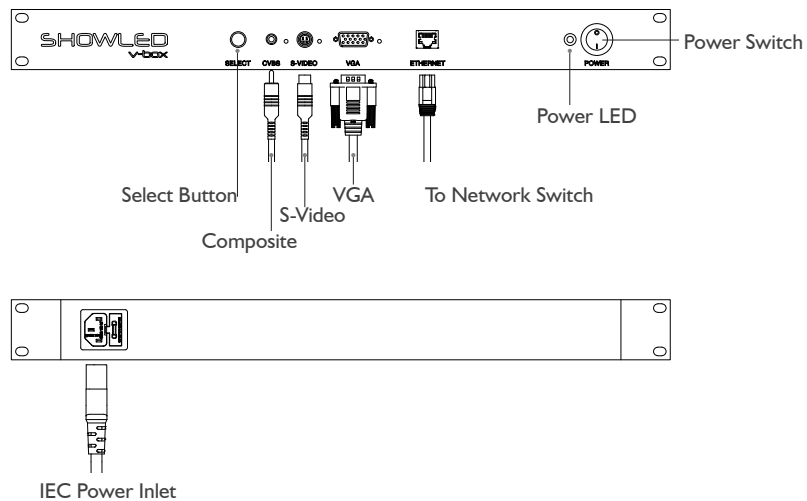
CE, RoHs

ShowLED V-Box

Dimensional Data



Typical Depth with connectors - 220mm



Typical Connection Diagram

